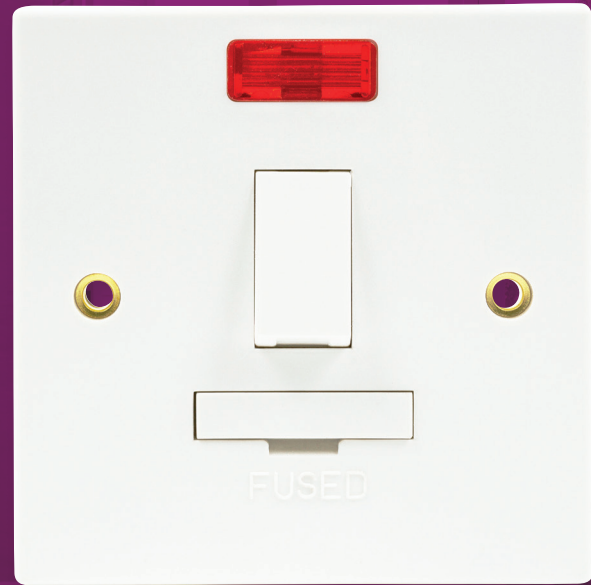


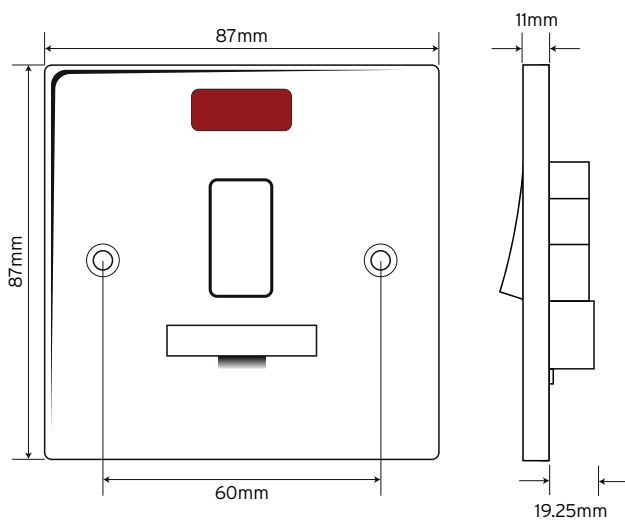
## FS13DPN

13A switched fused connection unit with neon



A white, square-edged, moulded accessory manufactured in a robust urea construction. Arctic Edge offers traditional design values for new, or existing installations.

### Technical Drawing



### Technical Specifications

#### Material Composition:

<b>Front Plate</b>	Urea
<b>Rear Housing</b>	Urea
<b>Terminals</b>	Brass
<b>Earth Strap</b>	Mild Steel
<b>Terminal Screws</b>	Steel & Yellow Passivated Silver "on-lay" Copper/Brass Contacts
<b>Voltage</b>	240V ~ 50Hz
<b>Current Rating</b>	13A
<b>Terminal Size</b>	5mm Ø
<b>Torque Value</b>	2.0Nm
<b>Cable Size</b>	3x2.5mm <sup>2</sup> or 2x4.0mm <sup>2</sup>
<b>Back Box Depth</b>	25mm - 47mm
<b>Twin Earth</b>	Yes
<b>Double Pole</b>	Yes
<b>Warranty</b>	20 years
<b>IP Rating</b>	IP20
<b>Operational Temperature</b>	-5° to +40°C
<b>Standards</b>	BS 1363-4:1995+A4:2012 Fuses to BS 1362:1973