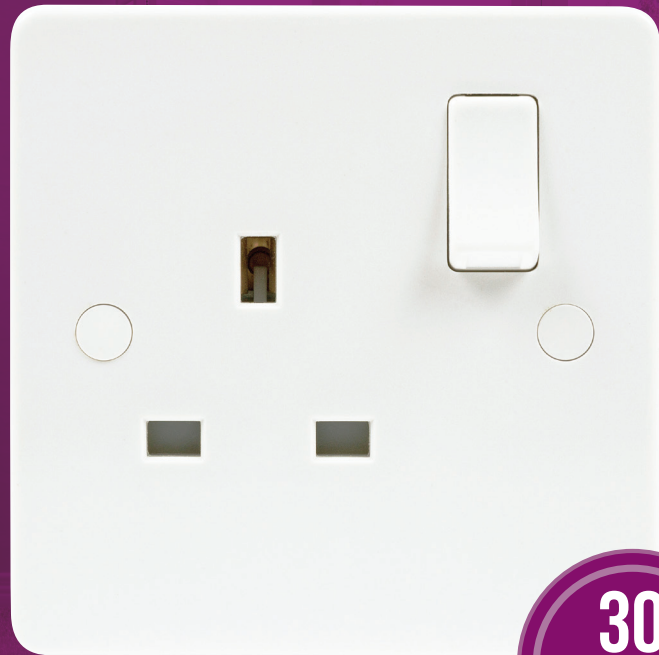


P-S131S P-S131DPS

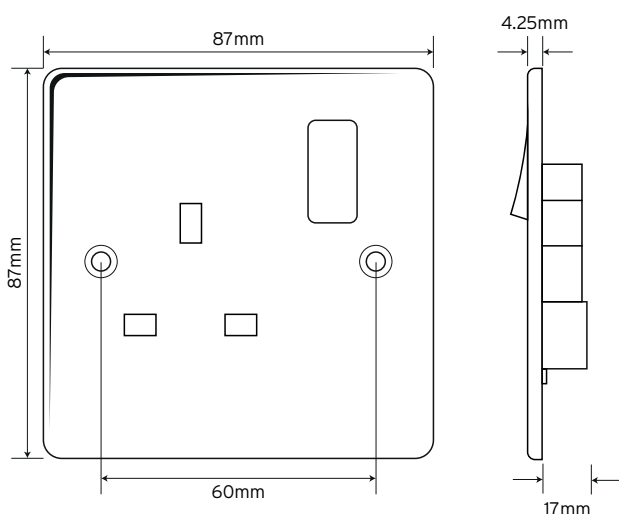
1 Gang SP or DP Switched



**30
YEAR
GUARANTEE**

A modern range of ultra-slim, smooth-edged, moulded wiring accessories-manufactured in a bright white Urea.

Technical Drawing



Technical Specifications

Material Composition:

| | |
|--------------------------------|--|
| Front Plate | Urea |
| Rear Housing | Urea |
| Terminals | Brass |
| Earth Strap | Mild Steel |
| Terminal Screws | Steel & Yellow Passivated Silver "on-lay" Copper/Brass Contacts |
| Voltage | 240V ~ 50Hz |
| Current Rating | 13A |
| Terminal Size | 5mm |
| Torque Value | 2.0Nm |
| Cable Size | 3x2.5mm ² |
| Back Box Depth | 25mm - 47mm |
| Switched | Yes |
| Switching | P-S131S (Single Pole) P-S131DPS (Double Pole) |
| Twin Earth | Yes |
| Warranty | 30 years |
| IP Rating | IP20 |
| Operational Temperature | -5 ° to +40 °C |
| Standards | BS 1363-2: 1995 + A4: 2012 |