

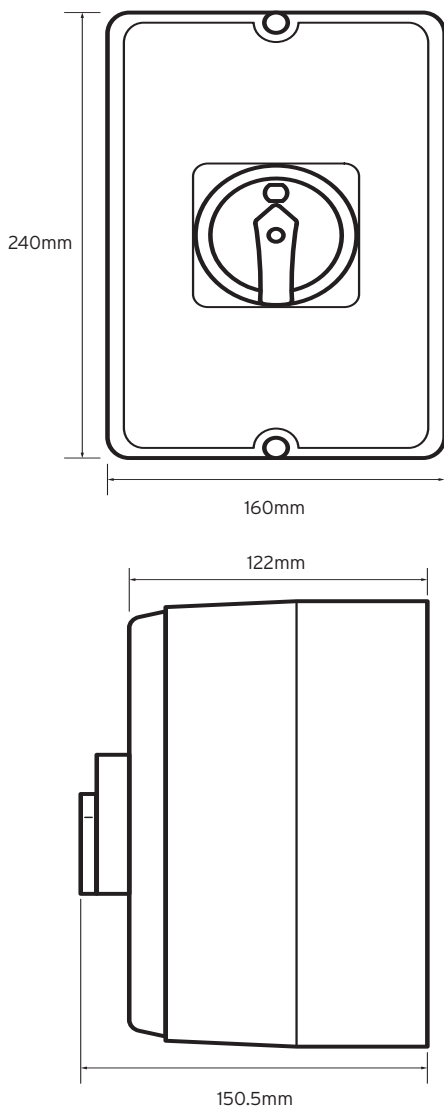


# NiGLON

Industrial Accessories

## IS1004 Insulated Rotary Isolator

### Technical Drawing



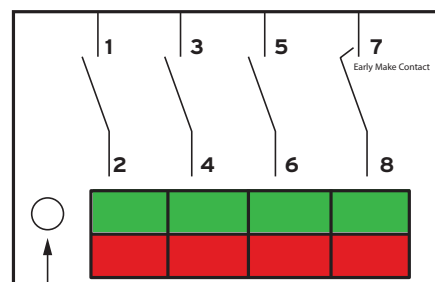
### Technical Specifications

Standards	EN60947-3
Rated Current	100A
No.of Poles	4
Rated Insulation Voltage(V)	690V
Rated Operating Current(A)	100
AC-22A	100
AC-23A	100
AC-3	80
Rated Voltage(Ue)	440V
Rated Power Control(KW)	37
Rated short-time withstand current(Icw)	2000A
Connect Wire	35mm <sup>2</sup>
Screw Torque	2 N.m

### Enclosure Characteristics

Overall Dimensions HxWxD	240x160x122mm
Depth with switch	150.5mm
Degree of IP	IP65
Colour	Upper cover RAL9002, Bottom case RAL 7031

### Wiring Diagram



Note 7 = Early Make Contact