

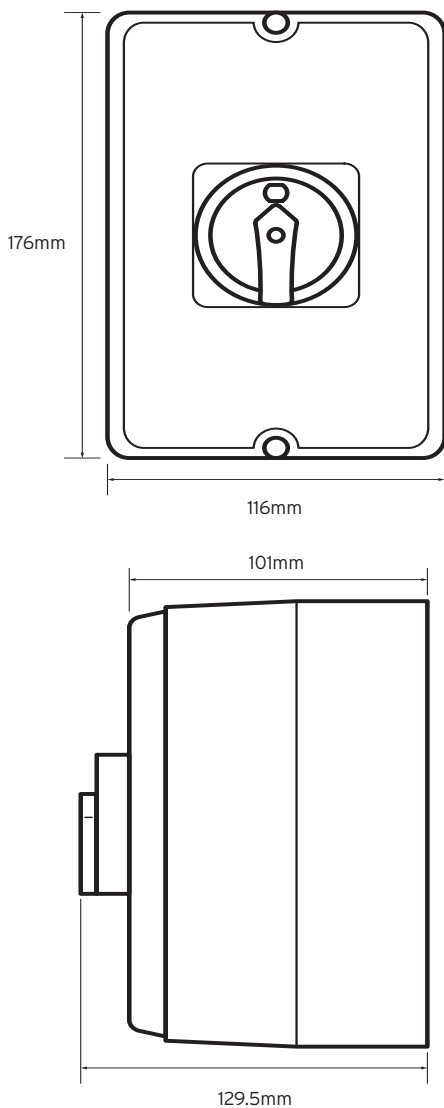


NiGLON

Industrial Accessories

IS324P-L Insulated Rotary Isolator

Technical Drawing



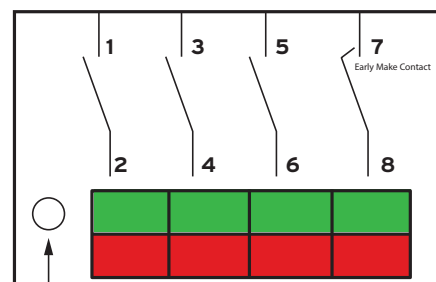
Technical Specifications

Standards	EN60947-3
Rated Current	32A
No.of Poles	4
Rated Insulation Voltage(V)	690V
Rated Operating Current(A)	32
AC-22A	32
AC-23A	32
AC-3	25
Rated Voltage(Ue)	440V
Rated Power Control(KW)	11
Rated short-time withstand current(Icw)	500A
Connect Wire	6mm ²
Screw Torque	1.2 N.m

Enclosure Characteristics

Overall Dimensions HxWxD	176x116x101mm
Depth with switch	129.5mm
Degree of IP	IP65
Colour	Upper cover RAL9002, Bottom case RAL 7031

Wiring Diagram



Note 7 = Early Make Contact