

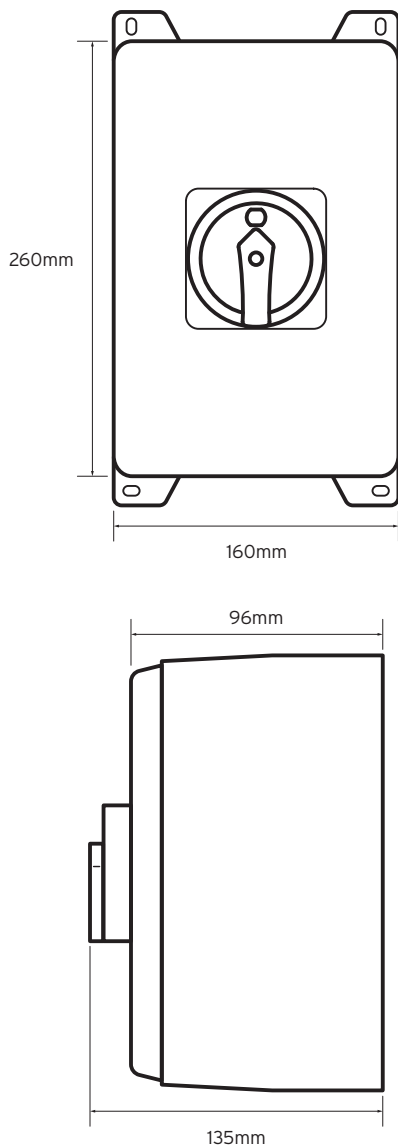


NiGLON

Industrial Accessories

ISS404P Stainless Steel Rotary Isolators

Technical Drawing



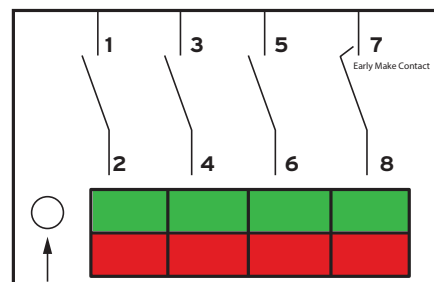
Technical Specifications

Standards	EN60947-3
Rated Current	40A
No. of Poles	4
Rated Insulation Voltage(V)	690V
Rated Operating Current(A)	40
AC-22A	40
AC-23A	40
AC-3	32
Rated Voltage(Ue)	440V
Rated Power Control(KW)	15
Rated short-time withstand current(Icw)	800A
Connect Wire	10mm ²
Screw Torque	1.2 N.m

Enclosure Characteristics

Overall Dimensions HxWxD	260x160x96mm
Depth with switch	135mm
Degree of IP	IP65
Colour	RAL7035

Wiring Diagram



Note 7 = Early Make Contact