

CONTACT CB1NO



Contact block with collar for mounting push-buttons and selector switches

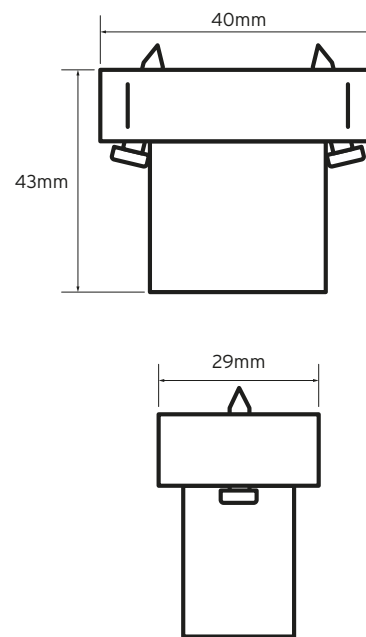
General Characteristics

Standard	EN 60947-5-1
Contact configuration	1 NO
Rated current I _m	10A
Rated voltage U _i	500V
Operating force	10N; additional 5N
Contact operation	Slow action / positive opening
Terminal Capacity	up to 1.5mm ²
Back of Panel dimension	43mm
Weight	0.011Kg

Available Accessories

CB1NC	Contact block only 1NC
CBC1NO	Contact block with collar 1NO
CBC1NC	Contact block with collar 1NC

Technical Drawing



Additional Information

This product is for use by skilled persons or instructed persons. The installation of this product must comply with current IEE regulations. Terminals, including those factory fitted, must be checked for correct tightness before commissioning. All terminals should be periodically checked for correct tightness. The data herein serves only to describe the product and should not be regarded as representing guaranteed properties in the legal sense. We reserve the rights of modification, whilst every care has been taken in ensuring the accuracy of this catalogue, the Supplier accepts no liability whatsoever for any eventuality arising from errors or omissions within its catalogues, brochures or within any online presence.