

niglon

Wiring Accessories

PREMIUM EDGE S

D-S131DPS-BCG

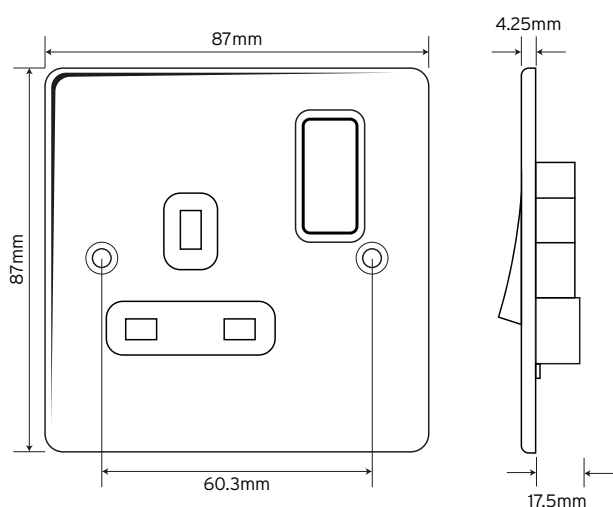
1 Gang DP Switched (Twin Earth)



20
YEAR
GUARANTEE

A contemporary low-profile design, manufactured with stainless steel faceplates, in a luxurious brushed chrome effect finish.

Technical Drawing



Technical Specifications

Material Composition:

Front Plate	Stainless Steel
Rear Housing	Urea
Terminals	Brass
Earth Strap	Mild Steel
Terminal Screws	Steel & Yellow Passivated Silver "on-lay" Copper/Brass Contacts
Voltage	240V ~ 50Hz
Current Rating	13A
Terminal Size	5mm
Torque Value	2.0Nm
Cable Size	3x2.5mm ²
Back Box Depth	25mm - 47mm
Switched	Yes
Double Pole	Yes
Twin Earth	Yes
Warranty	20 years
IP Rating	IP20
Operational Temperature	-5 ° to +40 °C
Standards	BS 1363-2: 1995 + A4: 2012