

niglon

Wiring Accessories

PREMIUM EDGE S

D-SP612-BCM

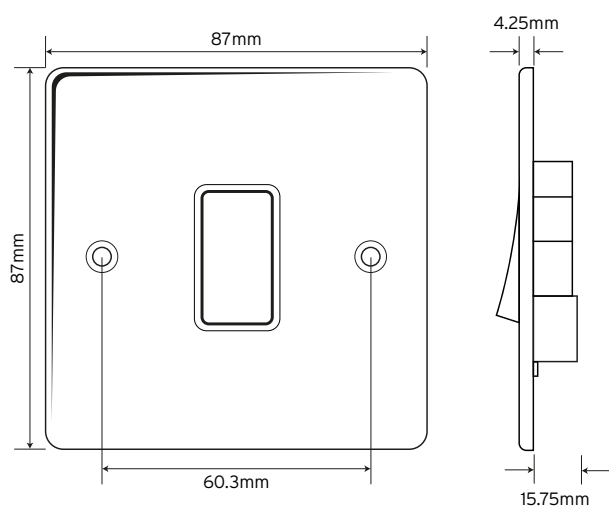
1 Gang 2 Way



20
YEAR
GUARANTEE

A contemporary low-profile design, manufactured with stainless steel faceplates, in a luxurious brushed chrome effect finish.

Technical Drawing



Technical Specifications

Material Composition:

Front Plate	Stainless Steel
Rear Housing	Urea
Terminals	Brass
Earth Strap	Mild Steel
Terminal Screws	Steel & Yellow Passivated Silver "on-lay" Copper/Brass Contacts
Voltage	240V ~ 50Hz
Current Rating	10AX (suitable for inductive loads)
Terminal Size	3.5mm Ø
Torque Value	0.5Nm
Cable Size	3x1.5mm ² or 2x2.5mm ²
Back Box Depth	25mm - 47mm
IP Rating	IP20
Warranty	20 years
Standards	BS EN 60669-1:1999 + A1:2002 + A2:2008
Operational Temperature	-5 ° to +40 °C