

niglon Control & Automation

MOTOR CONTROL GEAR

LARGE 4 POLE CONTACTOR AC/DC COIL

4LC150



4 pole contactors are for switching resistive loads, such as lighting or heating. Front or side auxilliary contacts are optional. Din rail mounting.

General Characteristics

Standards	IEC 60947-4, UL-508
AC-1 Rated Load	200A
AC-3 Rated Power @ 415V	55kW
Rated Operational Voltage (Ue)	≥ 690V
Number of Main Poles	4
Auxilliary Contacts	2NO + 2NC
Maximum Operation Frequency	1200 per hour
Mechanical Endurance	5 000 000 ops
Electrical Endurance	1 000 000 ops
Width	175mm
Height	203mm
Depth	181mm
Terminal Bolt	M8
Tightening Torque	9Nm
Weight	3.41Kg

Coil Characteristics

Coil Voltage Range	100/240V AC/DC
Inrush Current	380 VA
Sealed Current	11.6 VA
Pull-in Voltage	80 - 110 %
Thermal Dissipation	4.7 VA
Closing time	45 ms

Available Accessories

AUX2FM	Auxilliary Contact 2NC
AUX1/1FM	Auxilliary Contact 1NO/1NC
AUX4FM	Auxilliary Contact 4NC
AUX1/3FM	Auxilliary Contact 1NO/3NC
AUX2/2FM	Auxilliary Contact 2NO/2NC
AUX3/1FM	Auxilliary Contact 3NO/1NC
AUX40FM	Auxilliary Contact 4NO
MCFI	Mechanical Interlock

Additional Information

This product is for use by skilled persons or instructed persons. The installation of this product must comply with current IEE regulations. Terminals, including those factory fitted, must be checked for correct tightness before commissioning. All terminals should be periodically checked for correct tightness. The data herein serves only to describe the product and should not be regarded as representing guaranteed properties in the legal sense. We reserve the rights of modification, whilst every care has been taken in ensuring the accuracy of this catalogue, the Supplier accepts no liability whatsoever for any eventuality arising from errors or omissions within its catalogues, brochures or within any online presence.

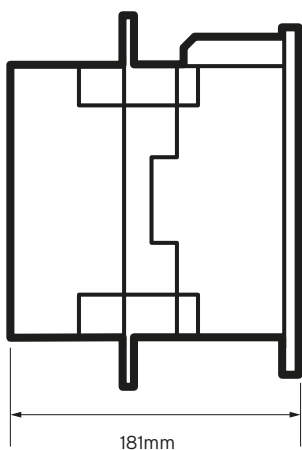
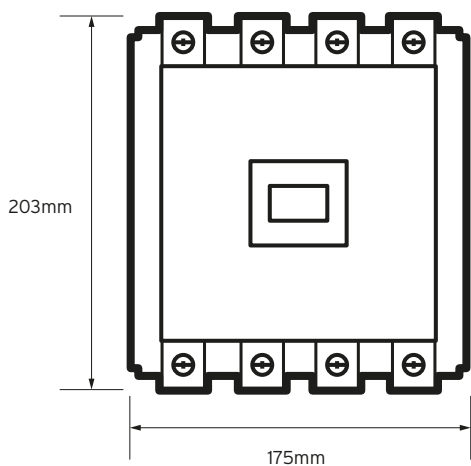
niglon Control & Automation

MOTOR CONTROL GEAR

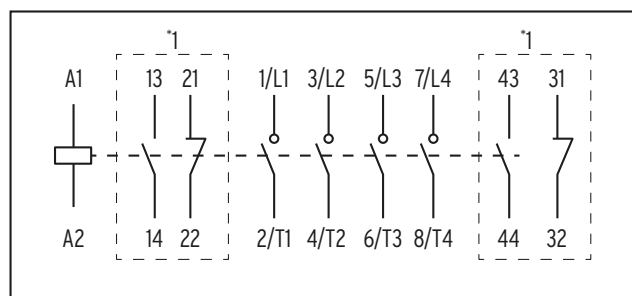
LARGE 4 POLE CONTACTOR AC/DC COIL

4LC150

Technical Drawing



Wiring Diagram



*1 - Optional auxiliary contact unit

Additional Information

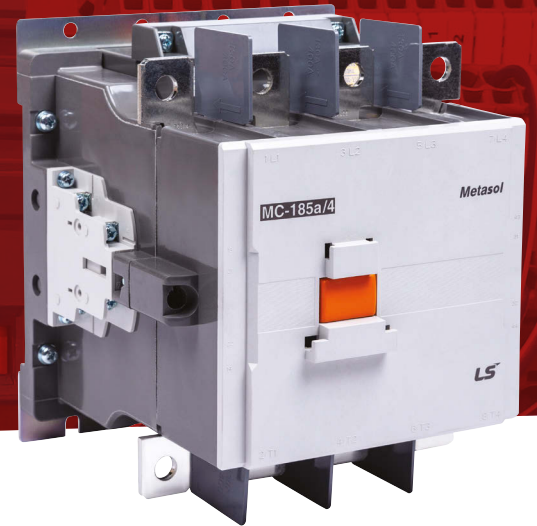
This product is for use by skilled persons or instructed persons. The installation of this product must comply with current IEE regulations. Terminals, including those factory fitted, must be checked for correct tightness before commissioning. All terminals should be periodically checked for correct tightness. The data herein serves only to describe the product and should not be regarded as representing guaranteed properties in the legal sense. We reserve the rights of modification, whilst every care has been taken in ensuring the accuracy of this catalogue, the Supplier accepts no liability whatsoever for any eventuality arising from errors or omissions within its catalogues, brochures or within any online presence.

niglon Control & Automation

MOTOR CONTROL GEAR

LARGE 4 POLE CONTACTOR AC/DC COIL

4LC155



4 pole contactors are for switching resistive loads, such as lighting or heating. Front or side auxilliary contacts are optional. Din rail mounting.

General Characteristics

Standards	IEC 60947-4, UL-508
AC-1 Rated Load	250A
AC-3 Rated Power @ 415V	75kW
Rated Operational Voltage (Ue)	≥ 690V
Number of Main Poles	4
Auxilliary Contacts	2NO + 2NC
Maximum Operation Frequency	1200 per hour
Mechanical Endurance	5 000 000 ops
Electrical Endurance	1 000 000 ops
Width	175mm
Height	203mm
Depth	181mm
Terminal Bolt	M8
Tightening Torque	9Nm
Weight	3.77Kg

Coil Characteristics

Available Coil Voltages	100/240V AC/DC
Inrush Current	380 VA
Sealed Current	11.6 VA
Pull-in Voltage	80 - 110 %
Thermal Dissipation	4.7 VA
Closing time	45 ms

Available Accessories

AUX2FM	Auxilliary Contact 2NC
AUX1/1FM	Auxilliary Contact 1NO/1NC
AUX4FM	Auxilliary Contact 4NC
AUX1/3FM	Auxilliary Contact 1NO/3NC
AUX2/2FM	Auxilliary Contact 2NO/2NC
AUX3/1FM	Auxilliary Contact 3NO/1NC
AUX40FM	Auxilliary Contact 4NO
MCM	Mechanical Interlock

Additional Information

This product is for use by skilled persons or instructed persons. The installation of this product must comply with current IEE regulations. Terminals, including those factory fitted, must be checked for correct tightness before commissioning. All terminals should be periodically checked for correct tightness. The data herein serves only to describe the product and should not be regarded as representing guaranteed properties in the legal sense. We reserve the rights of modification, whilst every care has been taken in ensuring the accuracy of this catalogue, the Supplier accepts no liability whatsoever for any eventuality arising from errors or omissions within its catalogues, brochures or within any online presence.

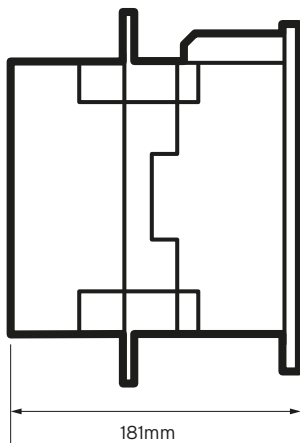
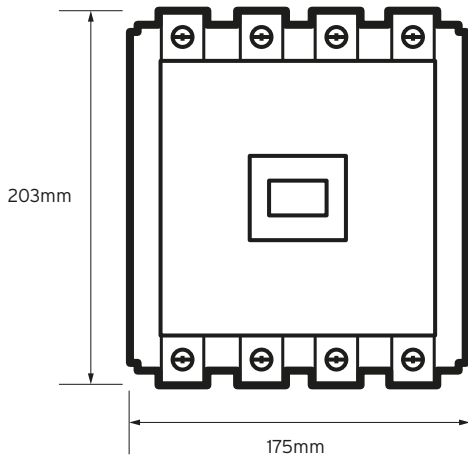
niglon Control & Automation

MOTOR CONTROL GEAR

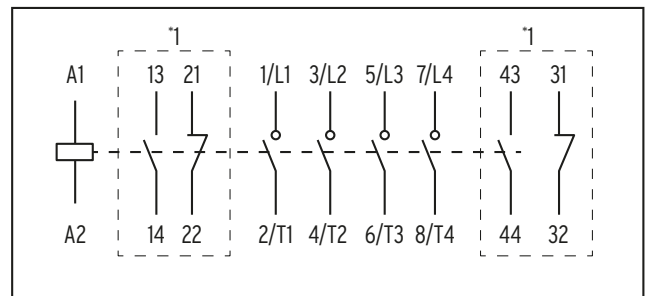
LARGE 4 POLE CONTACTOR AC/DC COIL

4LC155

Technical Drawing



Wiring Diagram



*1 - Optional auxiliary contact unit

Additional Information

This product is for use by skilled persons or instructed persons. The installation of this product must comply with current IEE regulations. Terminals, including those factory fitted, must be checked for correct tightness before commissioning. All terminals should be periodically checked for correct tightness. The data herein serves only to describe the product and should not be regarded as representing guaranteed properties in the legal sense. We reserve the rights of modification, whilst every care has been taken in ensuring the accuracy of this catalogue, the Supplier accepts no liability whatsoever for any eventuality arising from errors or omissions within its catalogues, brochures or within any online presence.

niglon Control & Automation

MOTOR CONTROL GEAR

LARGE 4 POLE CONTACTOR AC/DC COIL

4LC200



4 pole contactors are for switching resistive loads, such as lighting or heating. Front or side auxilliary contacts are optional. Din rail mounting.

General Characteristics

Standards	IEC 60947-4, UL-508
AC-1 Rated Load	275A
AC-3 Rated Power @ 415V	75kW
Rated Operational Voltage (Ue)	≥ 690V
Number of Main Poles	4
Auxilliary Contacts	2NO + 2NC
Maximum Operation Frequency	1200 per hour
Mechanical Endurance	5 000 000 ops
Electrical Endurance	1 000 000 ops
Width	175mm
Height	203mm
Depth	181mm
Terminal Bolt	M8
Tightening Torque	9Nm
Weight	5.45Kg

Coil Characteristics

Coil Voltage Range	100/240V AC/DC
Inrush Current	380 VA
Sealed Current	11.6 VA
Pull-in Voltage	80 - 110 %
Thermal Dissipation	4.7 VA
Closing time	45 ms

Available Accessories

AUX2FM	Auxilliary Contact 2NC
AUX1/1FM	Auxilliary Contact 1NO/1NC
AUX4FM	Auxilliary Contact 4NC
AUX1/3FM	Auxilliary Contact 1NO/3NC
AUX2/2FM	Auxilliary Contact 2NO/2NC
AUX3/1FM	Auxilliary Contact 3NO/1NC
AUX40FM	Auxilliary Contact 4NO
MCM	Mechanical Interlock

Additional Information

This product is for use by skilled persons or instructed persons. The installation of this product must comply with current IEE regulations. Terminals, including those factory fitted, must be checked for correct tightness before commissioning. All terminals should be periodically checked for correct tightness. The data herein serves only to describe the product and should not be regarded as representing guaranteed properties in the legal sense. We reserve the rights of modification, whilst every care has been taken in ensuring the accuracy of this catalogue, the Supplier accepts no liability whatsoever for any eventuality arising from errors or omissions within its catalogues, brochures or within any online presence.

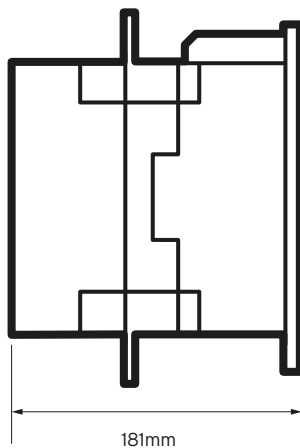
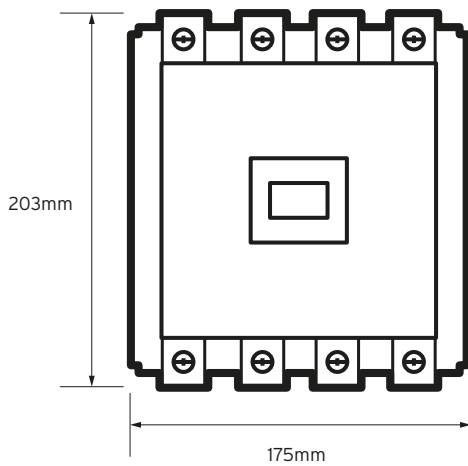
niGLON Control & Automation

MOTOR CONTROL GEAR

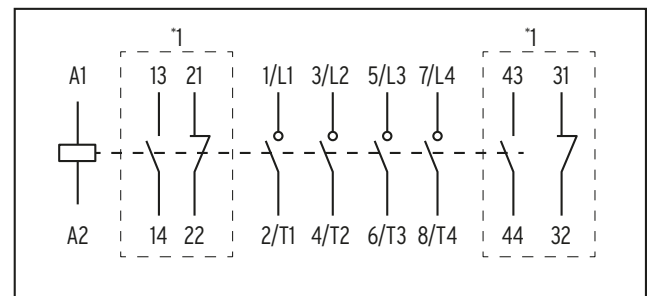
LARGE 4 POLE CONTACTOR AC/DC COIL

4LC200

Technical Drawing



Wiring Diagram



*1 - Optional auxiliary contact unit

Additional Information

This product is for use by skilled persons or instructed persons. The installation of this product must comply with current IEE regulations. Terminals, including those factory fitted, must be checked for correct tightness before commissioning. All terminals should be periodically checked for correct tightness. The data herein serves only to describe the product and should not be regarded as representing guaranteed properties in the legal sense. We reserve the rights of modification, whilst every care has been taken in ensuring the accuracy of this catalogue, the Supplier accepts no liability whatsoever for any eventuality arising from errors or omissions within its catalogues, brochures or within any online presence.

niglon Control & Automation

MOTOR CONTROL GEAR

LARGE 4 POLE CONTACTOR AC/DC COIL

4LC230



4 pole contactors are for switching resistive loads, such as lighting or heating. Front or side auxilliary contacts are optional. Din rail mounting.

General Characteristics

Standards	IEC 60947-4, UL-508
AC-1 Rated Load	300A
AC-3 Rated Power @ 415V	90kW
Rated Operational Voltage (Ue)	≥ 690V
Number of Main Poles	4
Auxilliary Contacts	2NO + 2NC
Maximum Operation Frequency	1200 per hour
Mechanical Endurance	5 000 000 ops
Electrical Endurance	1 000 000 ops
Width	175mm
Height	203mm
Depth	181mm
Terminal Bolt	M10
Tightening Torque	15Nm
Weight	5.55Kg

Coil Characteristics

Coil Voltage Range	100/240V AC/DC
Inrush Current	380 VA
Sealed Current	11.6 VA
Pull-in Voltage	80 - 110 %
Thermal Dissipation	4.7 VA
Closing time	45 ms

Available Accessories

AUX2FM	Auxilliary Contact 2NC
AUX1/1FM	Auxilliary Contact 1NO/1NC
AUX4FM	Auxilliary Contact 4NC
AUX1/3FM	Auxilliary Contact 1NO/3NC
AUX2/2FM	Auxilliary Contact 2NO/2NC
AUX3/1FM	Auxilliary Contact 3NO/1NC
AUX40FM	Auxilliary Contact 4NO
MCM1	Mechanical Interlock

Additional Information

This product is for use by skilled persons or instructed persons. The installation of this product must comply with current IEE regulations. Terminals, including those factory fitted, must be checked for correct tightness before commissioning. All terminals should be periodically checked for correct tightness. The data herein serves only to describe the product and should not be regarded as representing guaranteed properties in the legal sense. We reserve the rights of modification, whilst every care has been taken in ensuring the accuracy of this catalogue, the Supplier accepts no liability whatsoever for any eventuality arising from errors or omissions within its catalogues, brochures or within any online presence.

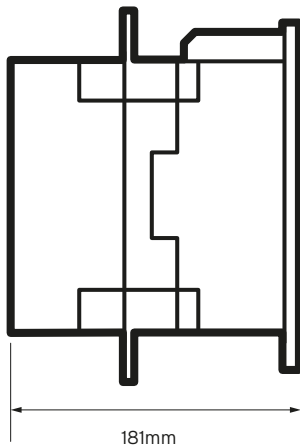
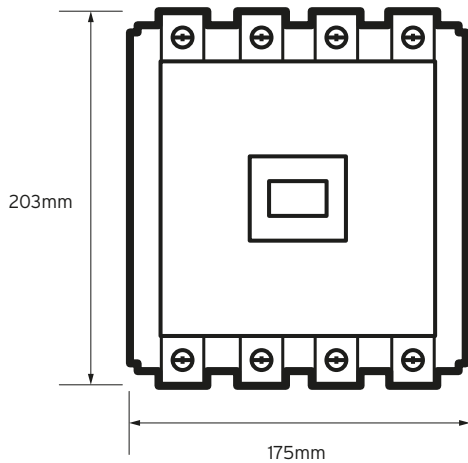
niglon Control & Automation

MOTOR CONTROL GEAR

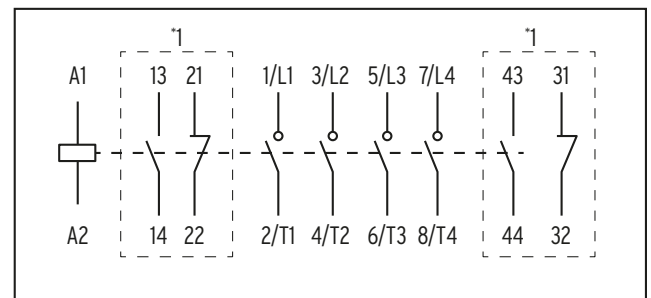
LARGE 4 POLE CONTACTOR AC/DC COIL

4LC230

Technical Drawing



Wiring Diagram



*1 - Optional auxiliary contact unit

Additional Information

This product is for use by skilled persons or instructed persons. The installation of this product must comply with current IEE regulations. Terminals, including those factory fitted, must be checked for correct tightness before commissioning. All terminals should be periodically checked for correct tightness. The data herein serves only to describe the product and should not be regarded as representing guaranteed properties in the legal sense. We reserve the rights of modification, whilst every care has been taken in ensuring the accuracy of this catalogue, the Supplier accepts no liability whatsoever for any eventuality arising from errors or omissions within its catalogues, brochures or within any online presence.

niglon Control & Automation

MOTOR CONTROL GEAR

LARGE 4 POLE CONTACTOR AC/DC COIL

4LC250



4 pole contactors are for switching resistive loads, such as lighting or heating. Front or side auxilliary contacts are optional. Din rail mounting.

General Characteristics

Standards	IEC 60947-4, UL-508
AC-1 Rated Load	350A
AC-3 Rated Power @ 415V	132kW
Rated Operational Voltage (Ue)	≥ 690V
Number of Main Poles	4
Auxilliary Contacts	2NO + 2NC
Maximum Operation Frequency	1200 per hour
Mechanical Endurance	5 000 000 ops
Electrical Endurance	1 000 000 ops
Width	175mm
Height	203mm
Depth	181mm
Terminal Bolt	M10
Tightening Torque	15Nm
Weight	6.94Kg

Coil Characteristics

Coil Voltage Range	100/240V AC/DC
Inrush Current	380 VA
Sealed Current	11.6 VA
Pull-in Voltage	80 - 110 %
Thermal Dissipation	4.7W
Closing time	45 ms

Available Accessories

AUX2FM	Auxilliary Contact 2NC
AUX1/1FM	Auxilliary Contact 1NO/1NC
AUX4FM	Auxilliary Contact 4NC
AUX1/3FM	Auxilliary Contact 1NO/3NC
AUX2/2FM	Auxilliary Contact 2NO/2NC
AUX3/1FM	Auxilliary Contact 3NO/1NC
AUX40FM	Auxilliary Contact 4NO
MCM1	Mechanical Interlock

Additional Information

This product is for use by skilled persons or instructed persons. The installation of this product must comply with current IEE regulations. Terminals, including those factory fitted, must be checked for correct tightness before commissioning. All terminals should be periodically checked for correct tightness. The data herein serves only to describe the product and should not be regarded as representing guaranteed properties in the legal sense. We reserve the rights of modification, whilst every care has been taken in ensuring the accuracy of this catalogue, the Supplier accepts no liability whatsoever for any eventuality arising from errors or omissions within its catalogues, brochures or within any online presence.

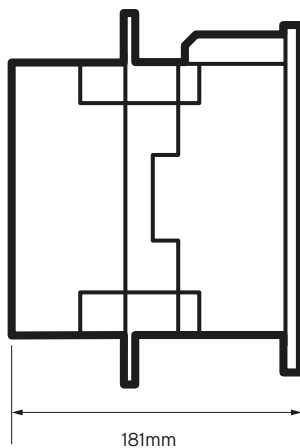
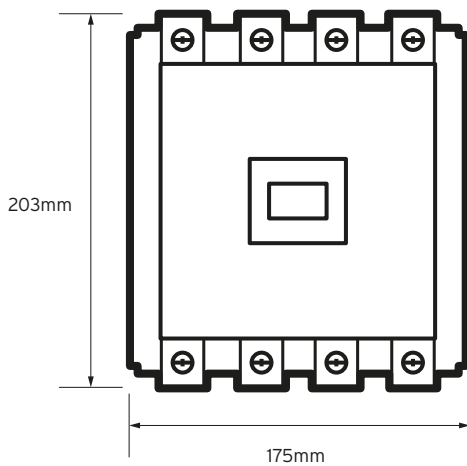
niGLON Control & Automation

MOTOR CONTROL GEAR

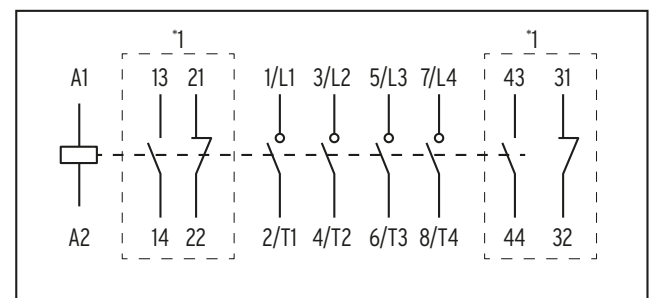
LARGE 4 POLE CONTACTOR AC/DC COIL

4LC250

Technical Drawing



Wiring Diagram



*1 - Optional auxiliary contact unit

Additional Information

This product is for use by skilled persons or instructed persons. The installation of this product must comply with current IEE regulations. Terminals, including those factory fitted, must be checked for correct tightness before commissioning. All terminals should be periodically checked for correct tightness. The data herein serves only to describe the product and should not be regarded as representing guaranteed properties in the legal sense. We reserve the rights of modification, whilst every care has been taken in ensuring the accuracy of this catalogue, the Supplier accepts no liability whatsoever for any eventuality arising from errors or omissions within its catalogues, brochures or within any online presence.

niglon Control & Automation

MOTOR CONTROL GEAR

LARGE 4 POLE CONTACTOR AC/DC COIL

4LC420



4 pole contactors are for switching resistive loads, such as lighting or heating. Front or side auxilliary contacts are optional. Din rail mounting.

General Characteristics

Standards	IEC 60947-4, UL-508
AC-1 Rated Load	500A
AC-3 Rated Power @ 415V	160kW
Rated Operational Voltage (Ue)	≥ 690V
Number of Main Poles	4
Auxilliary Contacts	2NO + 2NC
Maximum Operation Frequency	1200 per hour
Mechanical Endurance	5 000 000 ops
Electrical Endurance	500 000 ops
Width	206mm
Height	243mm
Depth	199mm
Terminal Bolt	M12
Tightening Torque	23Nm
Weight	8.54Kg

Coil Characteristics

Coil Voltage Range	100/240V AC/DC
Inrush Current	380 VA
Sealed Current	11.6 VA
Pull-in Voltage	80 - 110 %
Thermal Dissipation	4.7 W
Closing time	45 - 50 ms

Available Accessories

AUX2FM	Auxilliary Contact 2NC
AUX1/1FM	Auxilliary Contact 1NO/1NC
AUX4FM	Auxilliary Contact 4NC
AUX1/3FM	Auxilliary Contact 1NO/3NC
AUX2/2FM	Auxilliary Contact 2NO/2NC
AUX3/1FM	Auxilliary Contact 3NO/1NC
AUX40FM	Auxilliary Contact 4NO
MCFI	Mechanical Interlock

Additional Information

This product is for use by skilled persons or instructed persons. The installation of this product must comply with current IEE regulations. Terminals, including those factory fitted, must be checked for correct tightness before commissioning. All terminals should be periodically checked for correct tightness. The data herein serves only to describe the product and should not be regarded as representing guaranteed properties in the legal sense. We reserve the rights of modification, whilst every care has been taken in ensuring the accuracy of this catalogue, the Supplier accepts no liability whatsoever for any eventuality arising from errors or omissions within its catalogues, brochures or within any online presence.

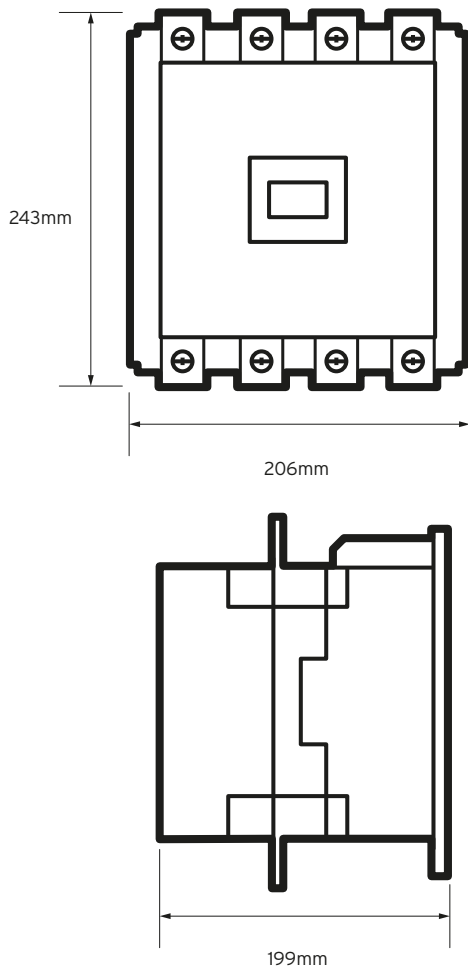
niglon Control & Automation

MOTOR CONTROL GEAR

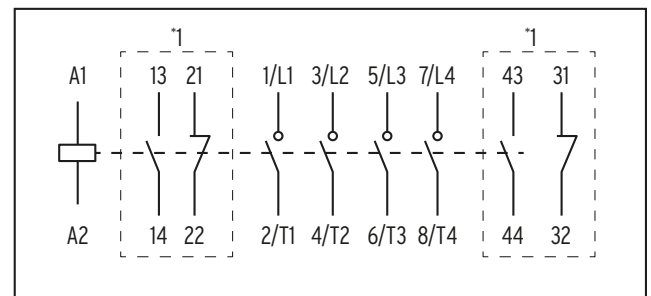
LARGE 4 POLE CONTACTOR AC/DC COIL

4LC420

Technical Drawing



Wiring Diagram



*1 - Optional auxiliary contact unit

Additional Information

This product is for use by skilled persons or instructed persons. The installation of this product must comply with current IEE regulations. Terminals, including those factory fitted, must be checked for correct tightness before commissioning. All terminals should be periodically checked for correct tightness. The data herein serves only to describe the product and should not be regarded as representing guaranteed properties in the legal sense. We reserve the rights of modification, whilst every care has been taken in ensuring the accuracy of this catalogue, the Supplier accepts no liability whatsoever for any eventuality arising from errors or omissions within its catalogues, brochures or within any online presence.

niglon Control & Automation

MOTOR CONTROL GEAR

LARGE 4 POLE CONTACTOR AC/DC COIL

4LC450



4 pole contactors are for switching resistive loads, such as lighting or heating. Front or side auxilliary contacts are optional. Din rail mounting.

General Characteristics

Standards	IEC 60947-4, UL-508
AC-1 Rated Load	520A
AC-3 Rated Power @ 415V	220kW
Rated Operational Voltage (Ue)	≥ 690V
Number of Main Poles	4
Auxilliary Contacts	2NO + 2NC
Maximum Operation Frequency	1200 per hour
Mechanical Endurance	5 000 000 ops
Electrical Endurance	500 000 ops
Width	206mm
Height	243mm
Depth	199mm
Terminal Bolt	M12
Tightening Torque	23Nm
Weight	9.6Kg

Coil Characteristics

Coil Voltage Range	100/240V AC/DC
Inrush Current	571 VA
Sealed Current	14 VA
Pull-in Voltage	80 - 110 %
Thermal Dissipation	5 W
Closing time	45 - 50 ms

Available Accessories

AUX2FM	Auxilliary Contact 2NC
AUX1/1FM	Auxilliary Contact 1NO/1NC
AUX4FM	Auxilliary Contact 4NC
AUX1/3FM	Auxilliary Contact 1NO/3NC
AUX2/2FM	Auxilliary Contact 2NO/2NC
AUX3/1FM	Auxilliary Contact 3NO/1NC
AUX40FM	Auxilliary Contact 4NO
MCM	Mechanical Interlock

Additional Information

This product is for use by skilled persons or instructed persons. The installation of this product must comply with current IEE regulations. Terminals, including those factory fitted, must be checked for correct tightness before commissioning. All terminals should be periodically checked for correct tightness. The data herein serves only to describe the product and should not be regarded as representing guaranteed properties in the legal sense. We reserve the rights of modification, whilst every care has been taken in ensuring the accuracy of this catalogue, the Supplier accepts no liability whatsoever for any eventuality arising from errors or omissions within its catalogues, brochures or within any online presence.

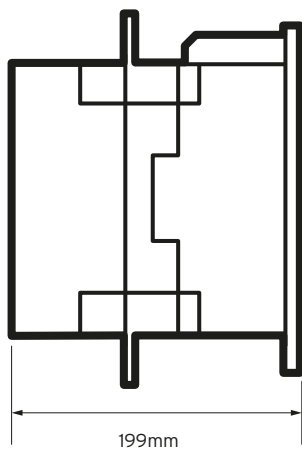
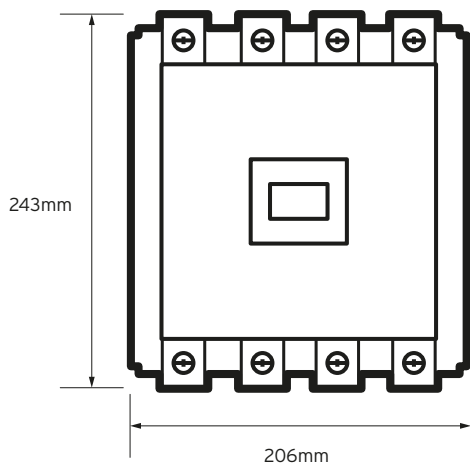
niglon Control & Automation

MOTOR CONTROL GEAR

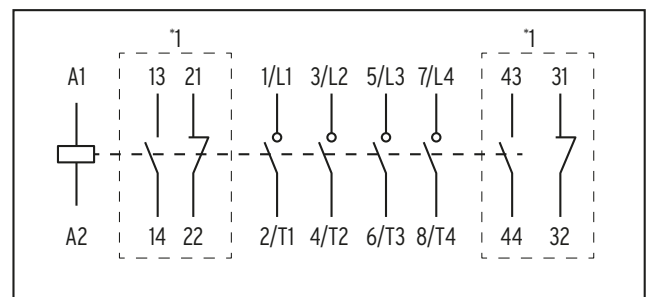
LARGE 4 POLE CONTACTOR AC/DC COIL

4LC450

Technical Drawing



Wiring Diagram



*1 - Optional auxiliary contact unit

Additional Information

This product is for use by skilled persons or instructed persons. The installation of this product must comply with current IEE regulations. Terminals, including those factory fitted, must be checked for correct tightness before commissioning. All terminals should be periodically checked for correct tightness. The data herein serves only to describe the product and should not be regarded as representing guaranteed properties in the legal sense. We reserve the rights of modification, whilst every care has been taken in ensuring the accuracy of this catalogue, the Supplier accepts no liability whatsoever for any eventuality arising from errors or omissions within its catalogues, brochures or within any online presence.

niglon Control & Automation

MOTOR CONTROL GEAR

LARGE 4 POLE CONTACTOR AC/DC COIL

4LC750



4 pole contactors are for switching resistive loads, such as lighting or heating. Front or side auxilliary contacts are optional. Din rail mounting.

General Characteristics

Standards	IEC 60947-4, UL-508
AC-1 Rated Load	900A
AC-3 Rated Power @ 415V	330kW
Rated Operational Voltage (Ue)	≥ 690V
Number of Main Poles	4
Auxilliary Contacts	2NO + 2NC
Maximum Operation Frequency	1200 per hour
Mechanical Endurance	5 000 000 ops
Electrical Endurance	500 000 ops
Width	366mm
Height	310mm
Depth	241mm
Terminal Bolt	M16
Tightening Torque	57Nm
Weight	14.25Kg

Coil Characteristics

Coil Voltage Range	100/240V AC/DC
Inrush Current	571 VA
Sealed Current	14 VA
Pull-in Voltage	80 - 110 %
Thermal Dissipation	7.8 W
Closing time	66 - 69 ms

Available Accessories

AUX2FM	Auxilliary Contact 2NC
AUX1/1FM	Auxilliary Contact 1NO/1NC
AUX4FM	Auxilliary Contact 4NC
AUX1/3FM	Auxilliary Contact 1NO/3NC
AUX2/2FM	Auxilliary Contact 2NO/2NC
AUX3/1FM	Auxilliary Contact 3NO/1NC
AUX40FM	Auxilliary Contact 4NO
MCM	Mechanical Interlock

Additional Information

This product is for use by skilled persons or instructed persons. The installation of this product must comply with current IEE regulations. Terminals, including those factory fitted, must be checked for correct tightness before commissioning. All terminals should be periodically checked for correct tightness. The data herein serves only to describe the product and should not be regarded as representing guaranteed properties in the legal sense. We reserve the rights of modification, whilst every care has been taken in ensuring the accuracy of this catalogue, the Supplier accepts no liability whatsoever for any eventuality arising from errors or omissions within its catalogues, brochures or within any online presence.

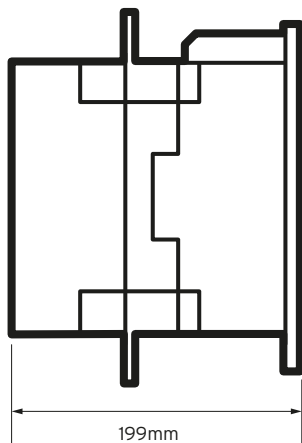
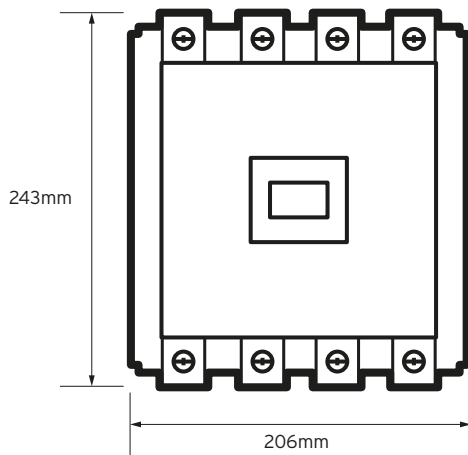
niglon Control & Automation

MOTOR CONTROL GEAR

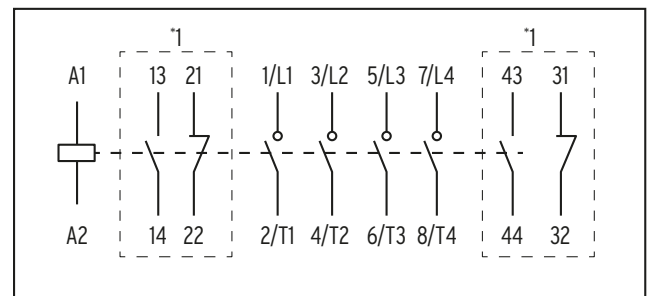
LARGE 4 POLE CONTACTOR AC/DC COIL

4LC750

Technical Drawing



Wiring Diagram



*1 - Optional auxiliary contact unit

Additional Information

This product is for use by skilled persons or instructed persons. The installation of this product must comply with current IEE regulations. Terminals, including those factory fitted, must be checked for correct tightness before commissioning. All terminals should be periodically checked for correct tightness. The data herein serves only to describe the product and should not be regarded as representing guaranteed properties in the legal sense. We reserve the rights of modification, whilst every care has been taken in ensuring the accuracy of this catalogue, the Supplier accepts no liability whatsoever for any eventuality arising from errors or omissions within its catalogues, brochures or within any online presence.