

nigLON

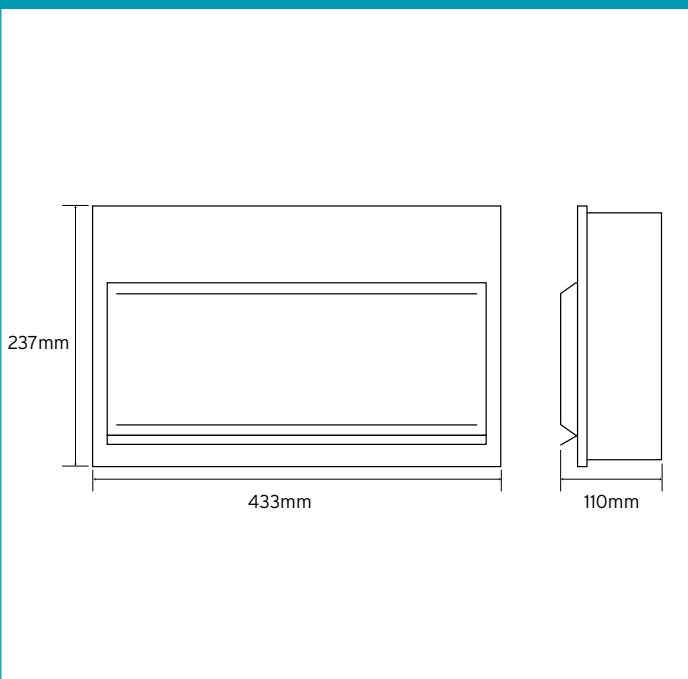
Circuit Protection

M3CU21S/280SP

Dual RCD Split Load (SPD Inc.)



Technical Drawing



Technical Specifications

Material Composition	Manufactured from painted steel
Paint Colour	RAL 9010
Configurations	7+6 100A Incomer + 2 x 80A 30mA RCD + SPD
Relevant Standards	Manufactured to BS7671:2008
100A Mains Incomer	Manufactured to EN60947:3
Residual Current Devices (RCDs)	Manufactured to EN61008-1
Miniature Circuit Breaker (MCB)	Manufactured to EN60898
Surge Protection Device	Manufactured to EN61645-11
Dimensions	433mm w x 237mm H x 110mm D

All specifications are Intertek Certified
Surge protection device included 15kA I_{max}