

PANEL COMPONENTS

PUSH-BUTTON HEADS MUSHROOM MPBH-RK



Mushroom head red pushbutton head only with metal bezel. Standard 22.5mm hole fixing. Bayonet fixing with 2 angled screws.

General Characteristics

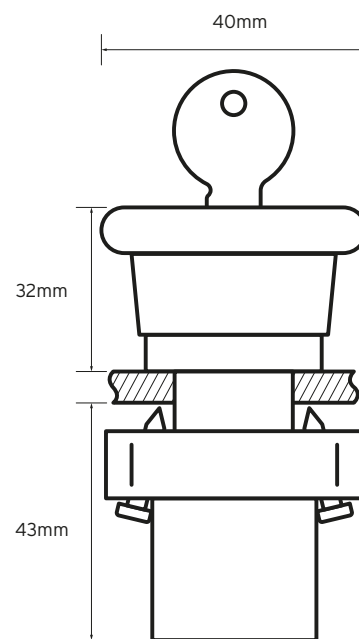
Standard	EN 60947-5-1
Operation	Key release
Key	Ronis 455
Rated Voltage	380V
Rated Current	10A
Maximum number of contact blocks	6
Tightening Torque	0.5 Nm
Diameter of actuator	40mm
Back of panel depth ⁽¹⁾	43mm
Maximum thickness for fixing	7mm
Operating temperature	-5 to +40°C
Ingress protection	IP65
Weight	0.093Kg

(1) with one contact fitted

Available Accessories

CBC1NO	Contact block 1NO with collar
CBC1NC	Contact block 1NC with collar
CB1NO	Contact block only 1NO
CB1NC	Contact block only 1NC
RESL	Round Emergency Stop Legend

Technical Drawing



Additional Information

This product is for use by skilled persons or instructed persons. The installation of this product must comply with current IEE regulations. Terminals, including those factory fitted, must be checked for correct tightness before commissioning. All terminals should be periodically checked for correct tightness. The data herein serves only to describe the product and should not be regarded as representing guaranteed properties in the legal sense. We reserve the rights of modification, whilst every care has been taken in ensuring the accuracy of this catalogue, the Supplier accepts no liability whatsoever for any eventuality arising from errors or omissions within its catalogues, brochures or within any online presence.