

# niGLON Control & Automation

## MOTOR CONTROL GEAR

### MODULAR ENCLOSURES

### METAL CLAD EM3220

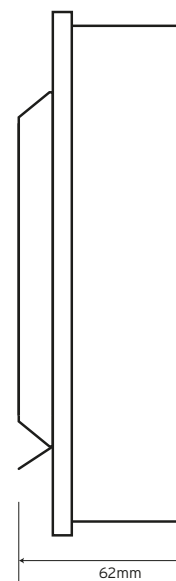
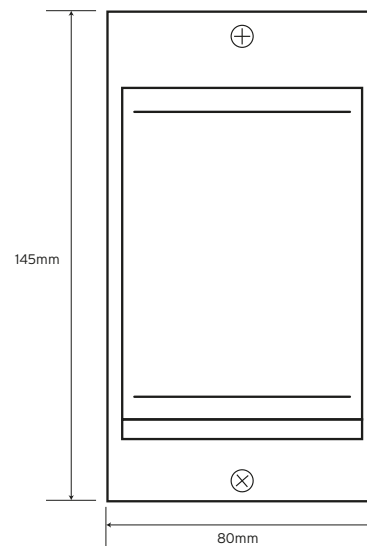


Empty metal clad modular enclosure.

#### General Characteristics

<b>Standards</b>	BS EN 60898 & 61008 IP20 Amendment 3 Compliant
<b>Number of Modules</b>	2
<b>Width</b>	80mm
<b>Height</b>	145mm
<b>Depth</b>	62mm

#### Technical Drawing



#### Additional Information

This product is for use by skilled persons or instructed persons. The installation of this product must comply with current IEE regulations. Terminals, including those factory fitted, must be checked for correct tightness before commissioning. All terminals should be periodically checked for correct tightness. The data herein serves only to describe the product and should not be regarded as representing guaranteed properties in the legal sense. We reserve the rights of modification, whilst every care has been taken in ensuring the accuracy of this catalogue, the Supplier accepts no liability whatsoever for any eventuality arising from errors or omissions within its catalogues, brochures or within any online presence.

# niGLON Control & Automation

## MOTOR CONTROL GEAR

### MODULAR ENCLOSURES

### METAL CLAD EM3220L

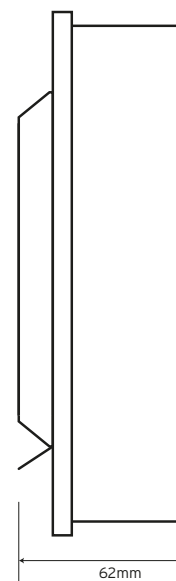
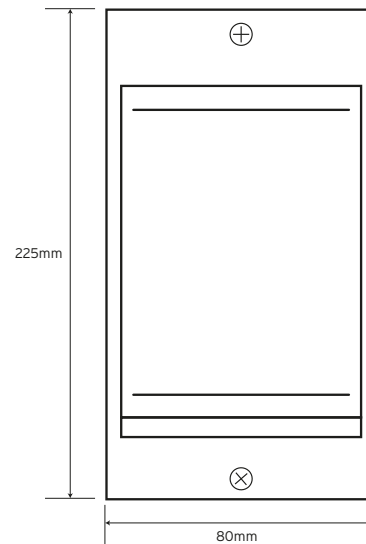


Empty metal clad modular enclosure.

#### General Characteristics

<b>Standards</b>	BS EN 60898 & 61008 IP20 Amendment 3 Compliant
<b>Number of Modules</b>	2
<b>Width</b>	80mm
<b>Height</b>	225mm
<b>Depth</b>	62mm

#### Technical Drawing



#### Additional Information

This product is for use by skilled persons or instructed persons. The installation of this product must comply with current IEE regulations. Terminals, including those factory fitted, must be checked for correct tightness before commissioning. All terminals should be periodically checked for correct tightness. The data herein serves only to describe the product and should not be regarded as representing guaranteed properties in the legal sense. We reserve the rights of modification, whilst every care has been taken in ensuring the accuracy of this catalogue, the Supplier accepts no liability whatsoever for any eventuality arising from errors or omissions within its catalogues, brochures or within any online presence.

# niglon Control & Automation

## MOTOR CONTROL GEAR

### MODULAR ENCLOSURES

### METAL CLAD EM3420

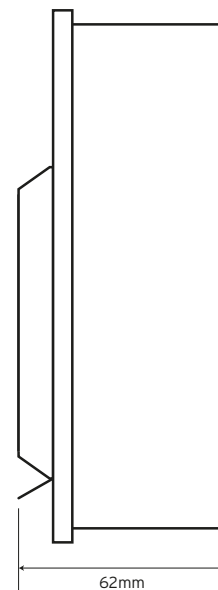
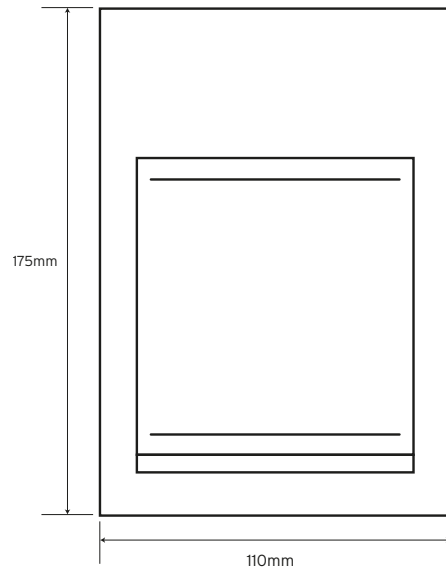


Empty metal clad modular enclosure.

#### General Characteristics

<b>Standards</b>	BS EN 60898 & 61008 IP20 Amendment 3 Compliant
<b>Number of Modules</b>	4
<b>Width</b>	110mm
<b>Height</b>	175mm
<b>Depth</b>	62mm
<b>Paint Colour</b>	RAL 9010
<b>Material Composition</b>	Manufactured from painted steel

#### Technical Drawing



#### Additional Information

This product is for use by skilled persons or instructed persons. The installation of this product must comply with current IEE regulations. Terminals, including those factory fitted, must be checked for correct tightness before commissioning. All terminals should be periodically checked for correct tightness. The data herein serves only to describe the product and should not be regarded as representing guaranteed properties in the legal sense. We reserve the rights of modification, whilst every care has been taken in ensuring the accuracy of this catalogue, the Supplier accepts no liability whatsoever for any eventuality arising from errors or omissions within its catalogues, brochures or within any online presence.

# niglon Control & Automation

## MOTOR CONTROL GEAR

### MODULAR ENCLOSURES

### METAL CLAD EM3420L

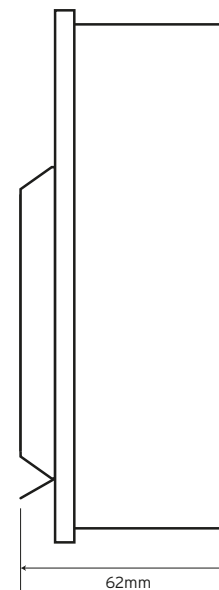
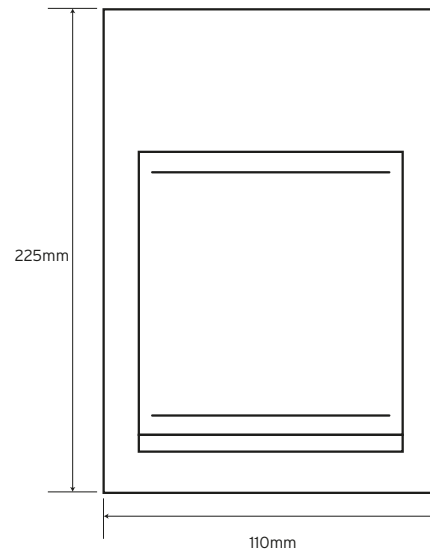


Empty metal clad modular enclosure.

#### General Characteristics

<b>Standards</b>	BS EN 60898 & 61008 IP20 Amendment 3 Compliant
<b>Number of Modules</b>	4
<b>Width</b>	110mm
<b>Height</b>	225mm
<b>Depth</b>	62mm
<b>Paint Colour</b>	RAL 9010
<b>Material Composition</b>	Manufactured from painted steel

#### Technical Drawing



#### Additional Information

This product is for use by skilled persons or instructed persons. The installation of this product must comply with current IEE regulations. Terminals, including those factory fitted, must be checked for correct tightness before commissioning. All terminals should be periodically checked for correct tightness. The data herein serves only to describe the product and should not be regarded as representing guaranteed properties in the legal sense. We reserve the rights of modification, whilst every care has been taken in ensuring the accuracy of this catalogue, the Supplier accepts no liability whatsoever for any eventuality arising from errors or omissions within its catalogues, brochures or within any online presence.

# niglon Control & Automation

## MOTOR CONTROL GEAR

### MODULAR ENCLOSURES

### METAL CLAD M3CU6E

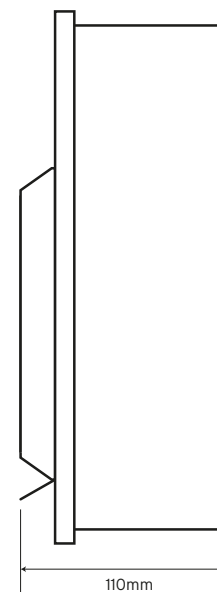
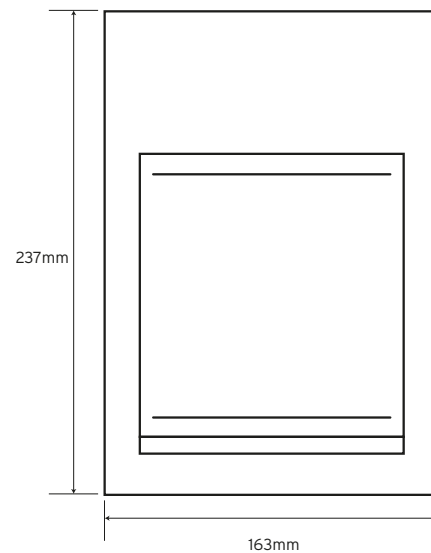


Empty metal clad modular enclosure.

#### General Characteristics

<b>Standards</b>	BS EN 60898 & 61008 IP20 Amendment 3 Compliant
<b>Number of Modules</b>	6
<b>Width</b>	163mm
<b>Height</b>	237mm
<b>Depth</b>	110mm
<b>Paint Colour</b>	RAL 9010
<b>Material Composition</b>	Manufactured from painted steel

#### Technical Drawing



#### Additional Information

This product is for use by skilled persons or instructed persons. The installation of this product must comply with current IEE regulations. Terminals, including those factory fitted, must be checked for correct tightness before commissioning. All terminals should be periodically checked for correct tightness. The data herein serves only to describe the product and should not be regarded as representing guaranteed properties in the legal sense. We reserve the rights of modification, whilst every care has been taken in ensuring the accuracy of this catalogue, the Supplier accepts no liability whatsoever for any eventuality arising from errors or omissions within its catalogues, brochures or within any online presence.

# niglon Control & Automation

## MOTOR CONTROL GEAR

### MODULAR ENCLOSURES

### METAL CLAD M3CU8E

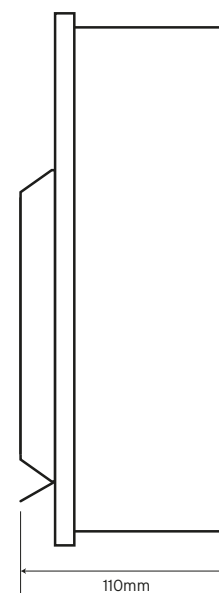
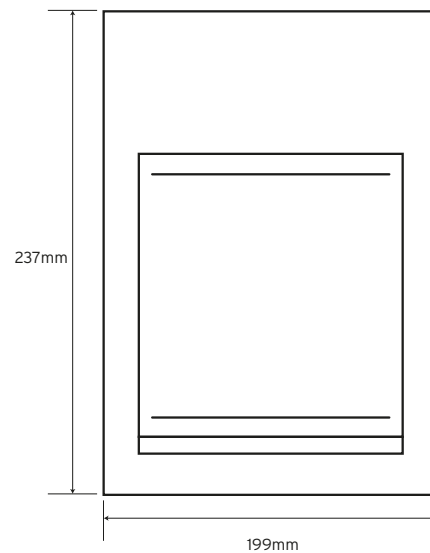


Empty metal clad modular enclosure.

#### General Characteristics

<b>Standards</b>	BS EN 60898 & 61008 IP20 Amendment 3 Compliant
<b>Number of Modules</b>	8
<b>Width</b>	199mm
<b>Height</b>	237mm
<b>Depth</b>	110mm
<b>Paint Colour</b>	RAL 9010
<b>Material Composition</b>	Manufactured from painted steel

#### Technical Drawing



#### Additional Information

This product is for use by skilled persons or instructed persons. The installation of this product must comply with current IEE regulations. Terminals, including those factory fitted, must be checked for correct tightness before commissioning. All terminals should be periodically checked for correct tightness. The data herein serves only to describe the product and should not be regarded as representing guaranteed properties in the legal sense. We reserve the rights of modification, whilst every care has been taken in ensuring the accuracy of this catalogue, the Supplier accepts no liability whatsoever for any eventuality arising from errors or omissions within its catalogues, brochures or within any online presence.

# niglon Control & Automation

## MOTOR CONTROL GEAR

### MODULAR ENCLOSURES

### METAL CLAD M3CU10E

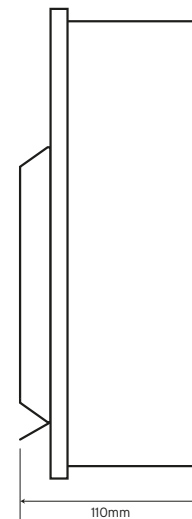
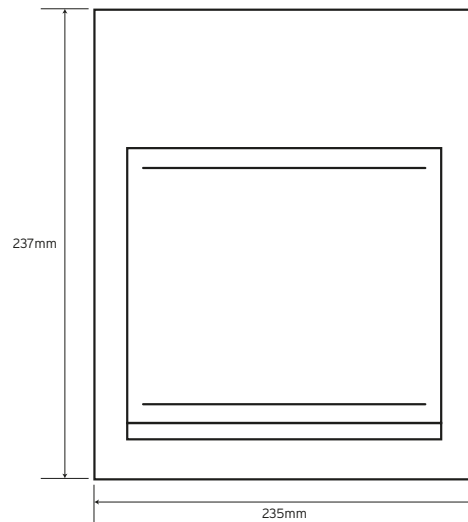


Empty metal clad modular enclosure.

#### General Characteristics

<b>Standards</b>	BS EN 60898 & 61008 IP20 Amendment 3 Compliant
<b>Number of Modules</b>	10
<b>Width</b>	235mm
<b>Height</b>	237mm
<b>Depth</b>	110mm
<b>Paint Colour</b>	RAL 9010
<b>Material Composition</b>	Manufactured from painted steel

#### Technical Drawing



#### Additional Information

This product is for use by skilled persons or instructed persons. The installation of this product must comply with current IEE regulations. Terminals, including those factory fitted, must be checked for correct tightness before commissioning. All terminals should be periodically checked for correct tightness. The data herein serves only to describe the product and should not be regarded as representing guaranteed properties in the legal sense. We reserve the rights of modification, whilst every care has been taken in ensuring the accuracy of this catalogue, the Supplier accepts no liability whatsoever for any eventuality arising from errors or omissions within its catalogues, brochures or within any online presence.

# niglon Control & Automation

## MOTOR CONTROL GEAR

### MODULAR ENCLOSURES

### METAL CLAD M3CU14E

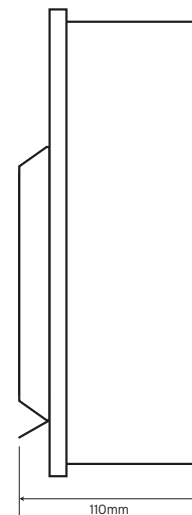
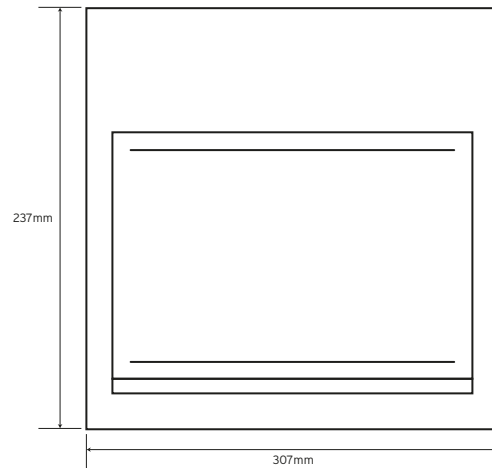


Empty metal clad modular enclosure.

#### General Characteristics

<b>Standards</b>	BS EN 60898 & 61008 IP20 Amendment 3 Compliant
<b>Number of Modules</b>	14
<b>Width</b>	307mm
<b>Height</b>	237mm
<b>Depth</b>	110mm
<b>Paint Colour</b>	RAL 9010
<b>Material Composition</b>	Manufactured from painted steel

#### Technical Drawing



#### Additional Information

This product is for use by skilled persons or instructed persons. The installation of this product must comply with current IEE regulations. Terminals, including those factory fitted, must be checked for correct tightness before commissioning. All terminals should be periodically checked for correct tightness. The data herein serves only to describe the product and should not be regarded as representing guaranteed properties in the legal sense. We reserve the rights of modification, whilst every care has been taken in ensuring the accuracy of this catalogue, the Supplier accepts no liability whatsoever for any eventuality arising from errors or omissions within its catalogues, brochures or within any online presence.



# niglon Control & Automation

## MOTOR CONTROL GEAR

### MODULAR ENCLOSURES

### METAL CLAD M3CU18E

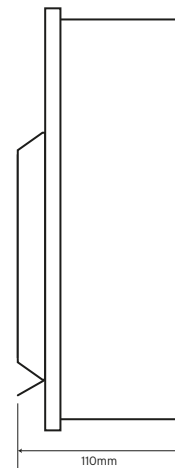
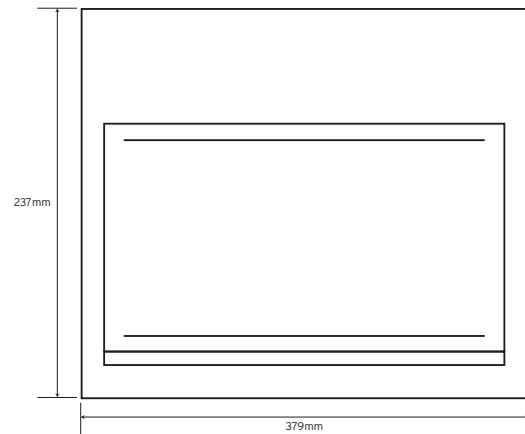


Empty metal clad modular enclosure.

#### General Characteristics

<b>Standards</b>	BS EN 60898 & 61008 IP20 Amendment 3 Compliant
<b>Number of Modules</b>	18
<b>Width</b>	379mm
<b>Height</b>	237mm
<b>Depth</b>	110mm
<b>Paint Colour</b>	RAL 9010
<b>Material Composition</b>	Manufactured from painted steel

#### Technical Drawing



#### Additional Information

This product is for use by skilled persons or instructed persons. The installation of this product must comply with current IEE regulations. Terminals, including those factory fitted, must be checked for correct tightness before commissioning. All terminals should be periodically checked for correct tightness. The data herein serves only to describe the product and should not be regarded as representing guaranteed properties in the legal sense. We reserve the rights of modification, whilst every care has been taken in ensuring the accuracy of this catalogue, the Supplier accepts no liability whatsoever for any eventuality arising from errors or omissions within its catalogues, brochures or within any online presence.

# niglon Control & Automation

## MOTOR CONTROL GEAR

### MODULAR ENCLOSURES

### METAL CLAD M3CU21E

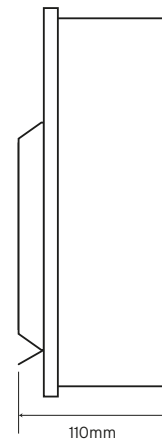
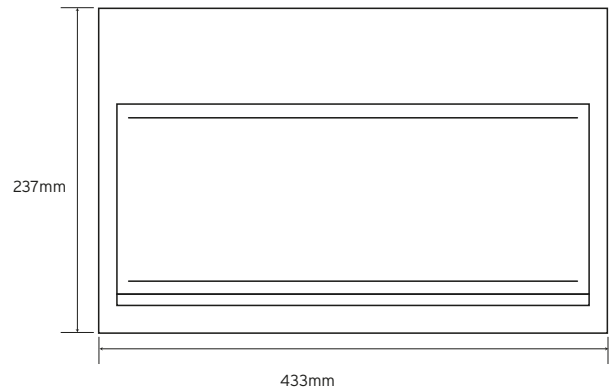


Empty metal clad modular enclosure.

#### General Characteristics

<b>Standards</b>	BS EN 60898 & 61008 IP20 Amendment 3 Compliant
<b>Number of Modules</b>	21
<b>Width</b>	433mm
<b>Height</b>	237mm
<b>Depth</b>	110mm
<b>Paint Colour</b>	RAL 9010
<b>Material Composition</b>	Manufactured from painted steel

#### Technical Drawing



#### Additional Information

This product is for use by skilled persons or instructed persons. The installation of this product must comply with current IEE regulations. Terminals, including those factory fitted, must be checked for correct tightness before commissioning. All terminals should be periodically checked for correct tightness. The data herein serves only to describe the product and should not be regarded as representing guaranteed properties in the legal sense. We reserve the rights of modification, whilst every care has been taken in ensuring the accuracy of this catalogue, the Supplier accepts no liability whatsoever for any eventuality arising from errors or omissions within its catalogues, brochures or within any online presence.