

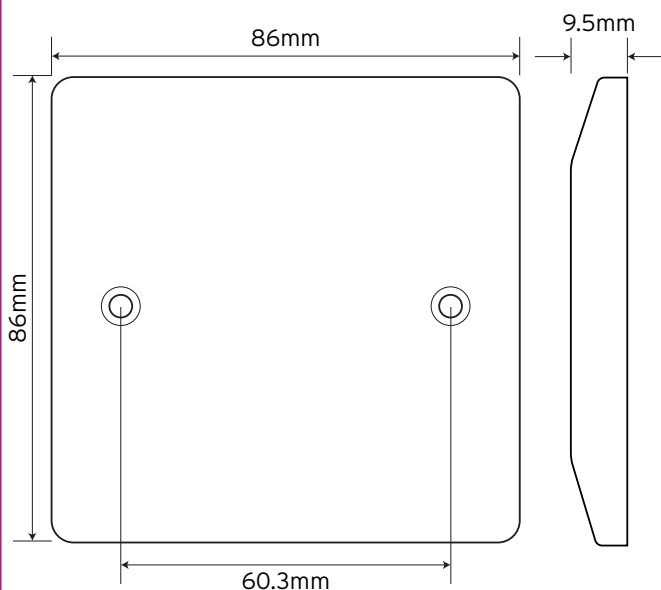
NBP1 Blank Plate



**20
YEAR
GUARANTEE**

A new take on traditional moulded wiring accessories manufactured in bright white Urea.

Technical Drawing



Technical Specifications

Material Composition	Front Plate - Urea
Back Box Depth	16mm - 47mm
Warranty	20 Years
Anti Microbial Certified	Yes
IP Rating	IP20
Operational Temperature	-5° to +40 °C
Standards	BS 5733 : 2010 + A1 : 2014, Modified ISO 22196
Dimensions	86x86x 9.5mm (HxWxD)