

NS132DPS

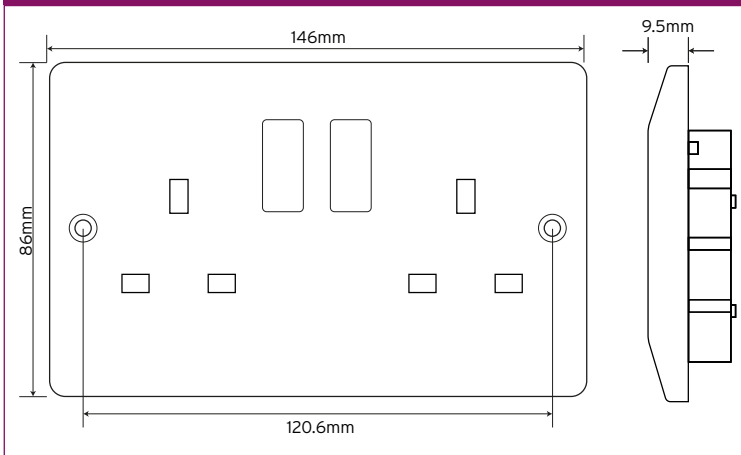
2 Gang DP Switched Socket Outlet



**20
YEAR
GUARANTEE**

A new take on traditional moulded wiring accessories manufactured in bright white Urea.

Technical Drawing



Technical Specifications

| | |
|---------------------------------|---|
| Material Composition | Front Plate - Urea Rear Housing - Nylon Terminals - Brass, Terminal Screws - Steel & Yellow Passivated Internal Mechanism - Formed Press Brass Silver "on-lay" Copper / Brass Contacts |
| Voltage | 240V ~ 50Hz |
| Current Rating | 13A |
| Terminal Size | 5mm ϕ |
| Torque Value | 2.5Nm |
| Cable Size | 4 x 2.5mm ² |
| Back Box Depth | 25mm |
| Anti Microbial Certified | Yes |
| Warranty | 20 Years |
| IP Rating | IP20 |
| Operational Temperature | -5° to +40 °C |
| Standards | BS 1363-2:1995+A4:2012, Modified ISO 22196 |
| Dimensions | 86x146x9.5mm (HxWxD) |
| Poles | Double Pole |
| Switched | Yes |