

PANEL COMPONENTS

PLASTIC ACTUATORS FOR PUSH-BUTTON STATION PSA-

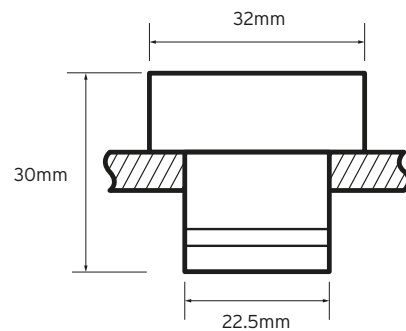


Flush pushbutton head with plastic bezel and mounting collar. For plastic pushbutton. Standard 22.5mm hole fixing. Snap on fixing

General Characteristics

Standard	EN 60947-5-1
Operation	Momentary
Rated Voltage	380V
Rated Current	10A
Maximum number of contact blocks	2
Tightening Torque	0.5 Nm
Diameter of bezel	29mm
Depth of bezel with actuator	13mm
Back of panel depth	43mm
Maximum thickness for fixing	7mm
Operating temperature	-40 to +70°C
Ingress protection	IP65
Weight	0.03Kg

Technical Drawing



Available configuration

PSA-B	Black pushbutton head
PSA-BW	Black with white arrow pushbutton head
PSA-BL	Blue pushbutton head
PSA-GW	Green with white I pushbutton head
PSA-RW	Red with white O pushbutton head
PSA-W	White pushbutton head
PSA-WB	White with black arrow pushbutton head
PSA-Y	Yellow pushbutton head

Available Accessories

PPS1	1 gang plastic pushbutton station
PPS2	2 gang plastic pushbutton station
PPS3	3 gang plastic pushbutton station
PA-CB1NC	Contact block 1N/O
PA-CB1NO	Contact block 1N/C

Additional Information

This product is for use by skilled persons or instructed persons. The installation of this product must comply with current IEE regulations. Terminals, including those factory fitted, must be checked for correct tightness before commissioning. All terminals should be periodically checked for correct tightness. The data herein serves only to describe the product and should not be regarded as representing guaranteed properties in the legal sense. We reserve the rights of modification, whilst every care has been taken in ensuring the accuracy of this catalogue, the Supplier accepts no liability whatsoever for any eventuality arising from errors or omissions within its catalogues, brochures or within any online presence.