

ENCLOSED SWITCHGEAR

POLYCARBONATE ENCLOSED MANUAL CHANGEOVER SWITCH 4 POLE PC160MC



160A 4 pole manual changeover switch in a glass reinforced polycarbonate enclosure to IP65 IK10. Enclosure has separate lock. The switch handle is padlockable and defeatable.

General Characteristics

Standards	EN60947-3
Current Rating at 45°C	160A
Rated Insulation Voltage Ui	1000V
Maximum Operational Voltage Uemax	690V
Dielectric Strength at 50Hz 1min	3.5kV
Rated Impulse Voltage Uimp	12kV
Rated Operational Current AC-22A at 415V	160A
Rated Operational Current AC-23A at 415V	160A
Rated Making Capacity at 415V, 0.35pf AC-23A	1600A
Rated Breaking Capacity at 415V, 0.35pf AC-23A	1280A
Defeatable Handle	Accepts 3 Padlocks
Weight	12.2Kg
Terminal Width	8mm
Terminal Hole Ø	7mm
Electrical Endurance	1000 ops
Mechanical Endurance	10000 ops

Enclosure Characteristics

Standards	EN62208
Overall Dimensions HxWxD	500x400x210mm
Degree of Ingress When Fitted	IP65 IK10
Construction	GRPP
Colour	RAL7035

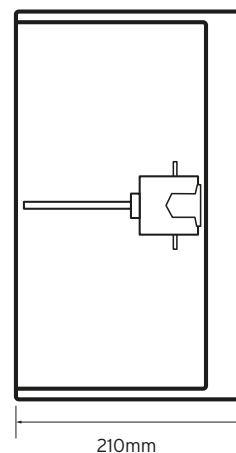
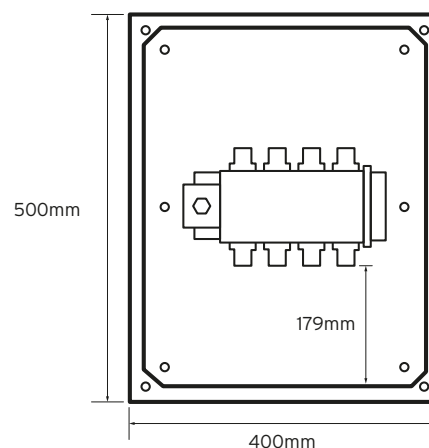
Available Accessories

A4 Document Wallet	A4DOCW
--------------------	--------

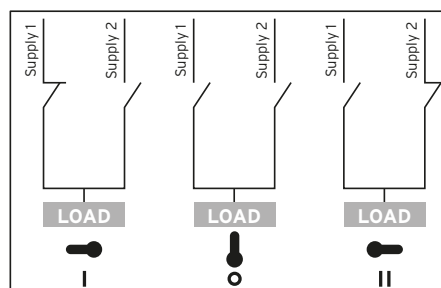
Additional Information

This product is for use by skilled persons or instructed persons. The installation of this product must comply with current IEE regulations. The IP rating of the unit can be compromised if the correct use of glands is not followed. Terminals, including those factory fitted, must be checked for correct tightness before commissioning. All terminals should be periodically checked for correct tightness. The data herein serves only to describe the product and should not be regarded as representing guaranteed properties in the legal sense. We reserve the rights of modification whilst every care has been taken in ensuring the accuracy of this catalogue, the Supplier accepts no liability whatsoever for any eventuality arising from errors or omissions within its catalogues, brochures or within any online presence.

Technical Drawing



Wiring Diagram





ENCLOSED SWITCHGEAR

POLYCARBONATE ENCLOSED MANUAL CHANGEOVER SWITCH 4 POLE PC315MC

315A 4 pole manual changeover switch in a glass reinforced polycarbonate enclosure to IP65 IK10. Enclosure has separate lock. The switch handle is padlockable and defeatable.

General Characteristics

Standards	EN60947-3
Current Rating at 45°C	315A
Rated Insulation Voltage Ui	1000V
Maximum Operational Voltage Uemax	690V
Dielectric Strength at 50Hz 1min	3.5kV
Rated Impulse Voltage Uimp	12kV
Rated Operational Current AC-22A at 415V	315A
Rated Operational Current AC-23A at 415V	315A
Rated Making Capacity at 415V, 0.35pf AC-23A	3150A
Rated Breaking Capacity at 415V, 0.35pf AC-23A	2520A
Defeatable Handle	Accepts 3 Padlocks
Weight	26.7Kg
Terminal Width	10mm
Terminal Hole Ø	9mm
Electrical Endurance	1000 ops
Mechanical Endurance	10000 ops

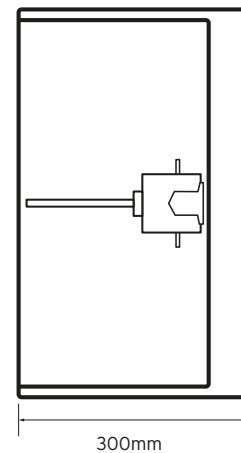
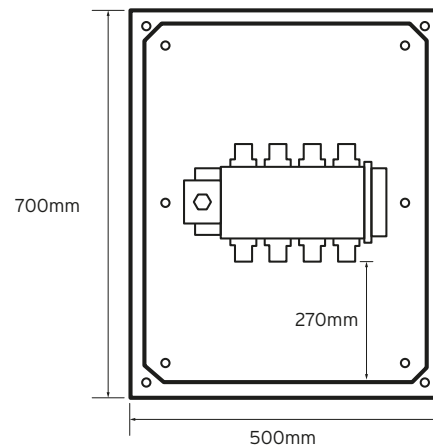
Enclosure Characteristics

Standards	EN62208
Overall Dimensions HxWxD	700x500x300mm
Degree of Ingress When Fitted	IP65 IK10
Construction	GRPP
Colour	RAL7035

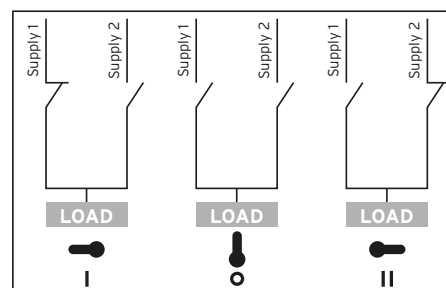
Available Accessories

A4 Document Wallet	A4DOCW
--------------------	--------

Technical Drawing



Wiring Diagram



Additional Information

This product is for use by skilled persons or instructed persons. The installation of this product must comply with current IEE regulations. The IP rating of the unit can be compromised if the correct use of glands is not followed. Terminals, including those factory fitted, must be checked for correct tightness before commissioning. All terminals should be periodically checked for correct tightness. The data herein serves only to describe the product and should not be regarded as representing guaranteed properties in the legal sense. We reserve the rights of modification whilst every care has been taken in ensuring the accuracy of this catalogue, the Supplier accepts no liability whatsoever for any eventuality arising from errors or omissions within its catalogues, brochures or within any online presence.