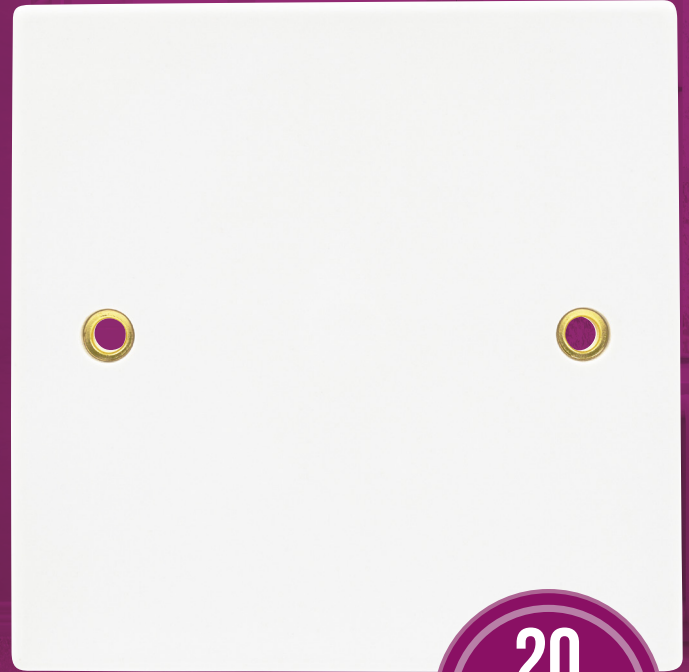


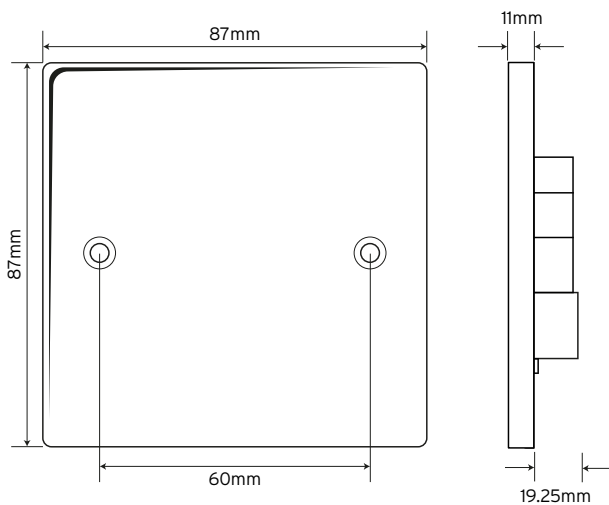
CU25

25A Connection Plate



A white, square-edged, moulded accessory manufactured in a robust urea construction. Arctic Edge offers traditional design values for new, or existing installations.

Technical Drawing



Technical Specifications

Material Composition:

| | |
|--------------------------------|--|
| Front Plate | Urea |
| Rear Housing | Urea |
| Terminals | Brass |
| Earth Strap | Mild Steel |
| Terminal Screws | Steel & Yellow Passivated Silver "on-lay" Copper/Brass Contacts |
| Voltage | 240V ~ 50Hz |
| Current Rating | 25A |
| Terminal Size | 5mm ϕ |
| Torque Value | 2.0Nm |
| Cable Size | 4 x 2.5mm ² or 1 x 6mm ² |
| Back Box Depth | 16mm - 47mm |
| Outlet Diameter | 10mm ϕ |
| Warranty | 20 years |
| IP Rating | IP20 |
| Operational Temperature | -5 ° to +40 °C |
| Standards | The Low Voltage Directive 2006/95/EC BS 5733:2010 Modified ISO 22196 |