

CU45

45A

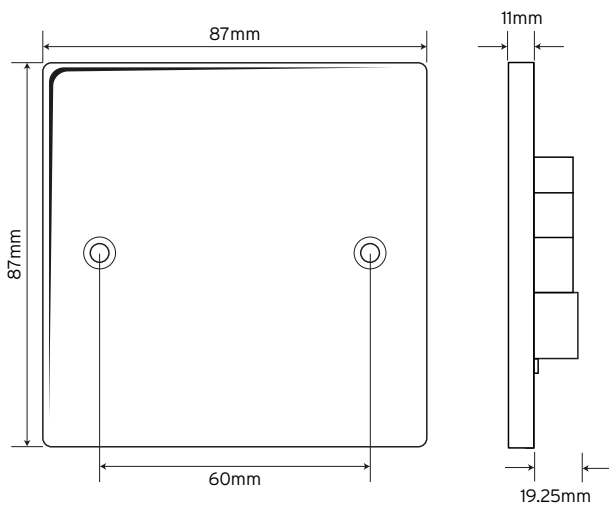
Connection Plate



**20
YEAR
GUARANTEE**

A white, square-edged, moulded accessory manufactured in a robust urea construction. Arctic Edge offers traditional design values for new, or existing installations.

Technical Drawing



Technical Specifications

Material Composition:

Front Plate	Urea
Rear Housing	Urea
Terminals	Brass
Earth Strap	Mild Steel
Terminal Screws	Steel & Yellow Passivated Silver "on-lay" Copper/Brass Contacts
Voltage	240V ~ 50Hz
Current Rating	45A
Torque Value	2.0Nm
Cable Size	1x10mm ²
Back Box Depth	16mm - 47mm
Outlet Diameter	10mm \varnothing
Warranty	20 years
IP Rating	IP20
Operational Temperature	-5° to +40°C
Standards	The Low Voltage Directive 2006/95/EC BS 5733:2010 Modified ISO 22196