

niGLON

Wiring Accessories

PROFILE

P-CU20

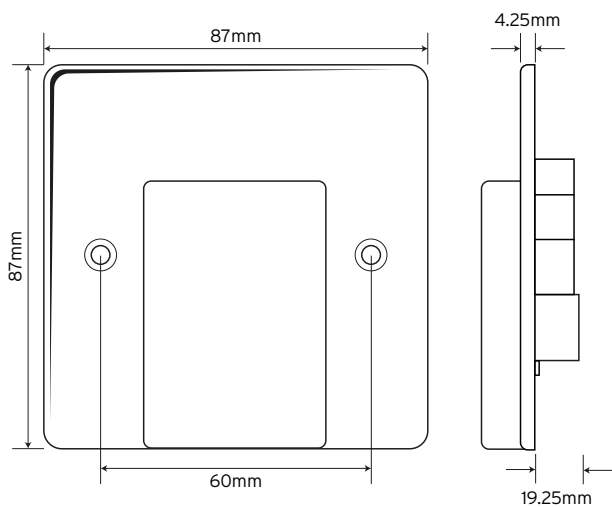
20A Flex Outlet Plate with Front/Bottom Exit



30
YEAR
GUARANTEE

A modern range of ultra-slim, smooth-edged, moulded wiring accessories-manufactured in a bright white Urea.

Technical Drawing



Technical Specifications

Material Composition:

Front Plate	Urea
Rear Housing	Urea
Terminals	Brass
Earth Strap	Mild Steel
Terminal Screws	Steel & Yellow Passivated Silver "on-lay" Copper/Brass Contacts
Voltage	240V ~ 50Hz
Current Rating	20A
Terminal Size	5mm ϕ
Torque Value	2.0Nm
Cable Size	4 x 2.5mm ² or 1 x 6mm ²
Back Box Depth	16mm - 47mm
Outlet Diameter	10mm ϕ
Warranty	30 years
IP Rating	IP20
Operational Temperature	-5 ° to +40 °C
Standards	The Low Voltage Directive 2006/95/EC BS 5733:2010 Modified ISO 22196