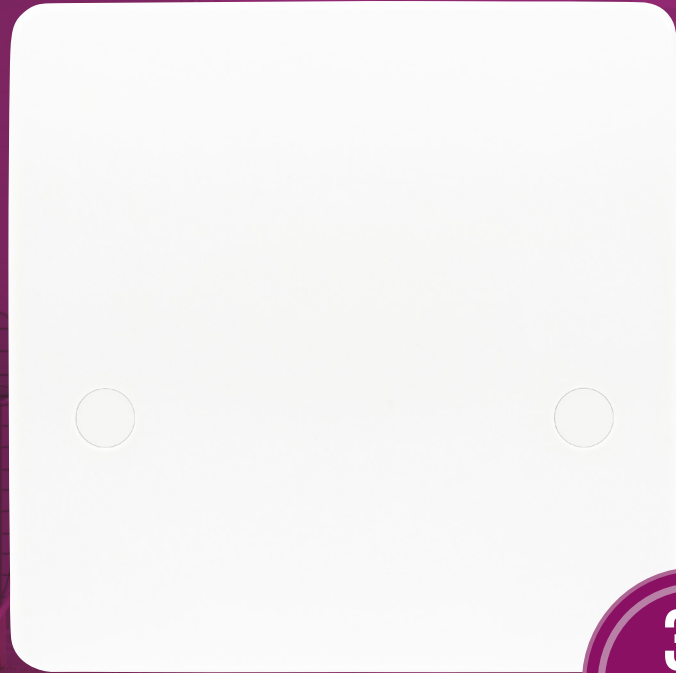


P-CU45

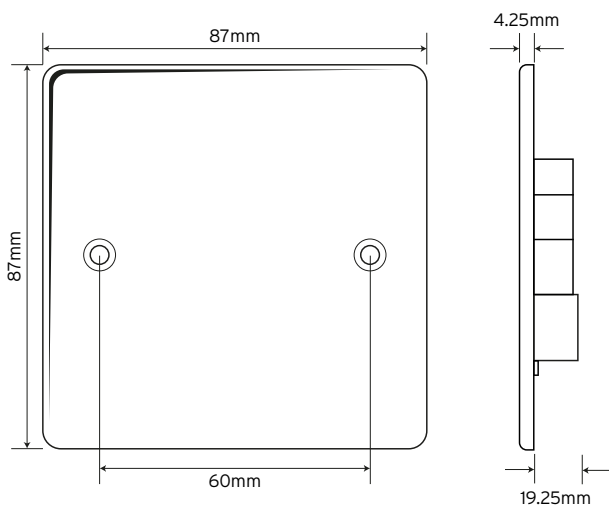
45A Cooker Flex Outlet Plate



**30
YEAR
GUARANTEE**

A modern range of ultra-slim, smooth-edged, moulded wiring accessories-manufactured in a bright white Urea.

Technical Drawing



Technical Specifications

Material Composition:

Front Plate	Urea
Rear Housing	Urea
Terminals	Brass
Earth Strap	Mild Steel
Terminal Screws	Steel & Yellow Passivated Silver "on-lay" Copper/Brass Contacts
Voltage	240V ~ 50Hz
Current Rating	45A
Terminal Size	6mm ϕ
Torque Value	2.5Nm
Cable Size	4 x 4mm ² , 3 x 6mm ² or 1 x 10mm ²
Back Box Depth	35mm - 47mm
Double Pole	Yes
Twin Earth	Yes
Warranty	30 years
IP Rating	IP20
Operational Temperature	-5 ° to +40 °C
Standards	The Low Voltage Directive 2006/95/EC, Modified ISO 22196 EN 60669-1:1999 + A1:2002 + A2:2008 (BS EN 60669-1:2000) BS 4177:1992 BS 1363-2:1995 + A4 : 2012 (Socket Outlet)