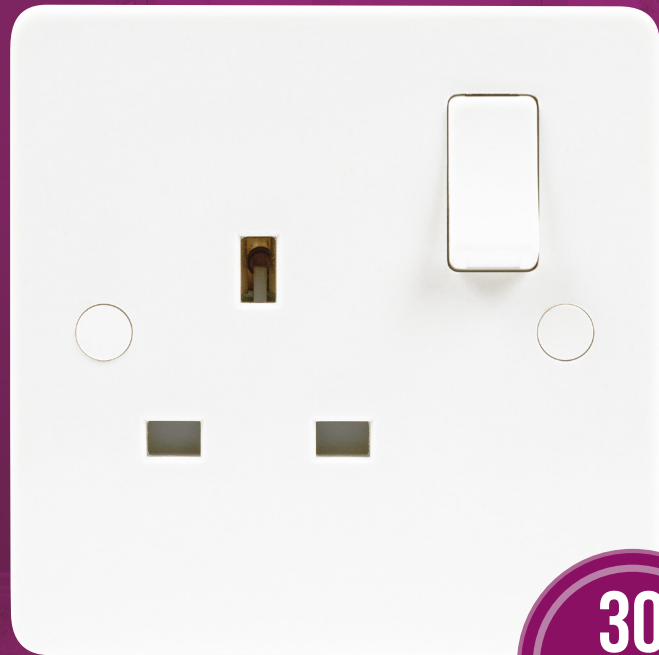


## P-S131S P-S131DPS

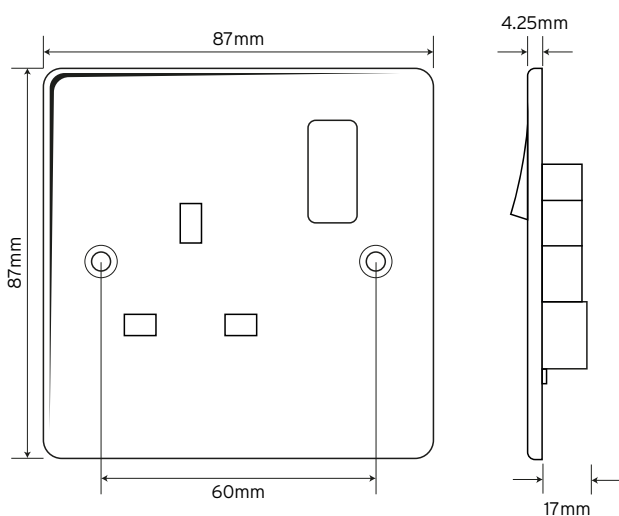
### 1 Gang SP or DP Switched



**30  
YEAR  
GUARANTEE**

A modern range of ultra-slim, smooth-edged, moulded wiring accessories-manufactured in a bright white Urea.

#### Technical Drawing



#### Technical Specifications

##### Material Composition:

Front Plate	Urea
Rear Housing	Urea
Terminals	Brass
Earth Strap	Mild Steel
Terminal Screws	Steel & Yellow Passivated Silver "on-lay" Copper/Brass Contacts
Voltage	240V ~ 50Hz
Current Rating	13A
Terminal Size	5mm
Torque Value	2.0Nm
Cable Size	3x2.5mm <sup>2</sup>
Back Box Depth	25mm - 47mm
Switched	Yes
Switching	P-S131S (Single Pole) P-S131DPS (Double Pole)
Twin Earth	Yes
Warranty	30 years
IP Rating	IP20
Operational Temperature	-5 ° to +40 °C
Standards	BS 1363-2: 1995 + A4: 2012