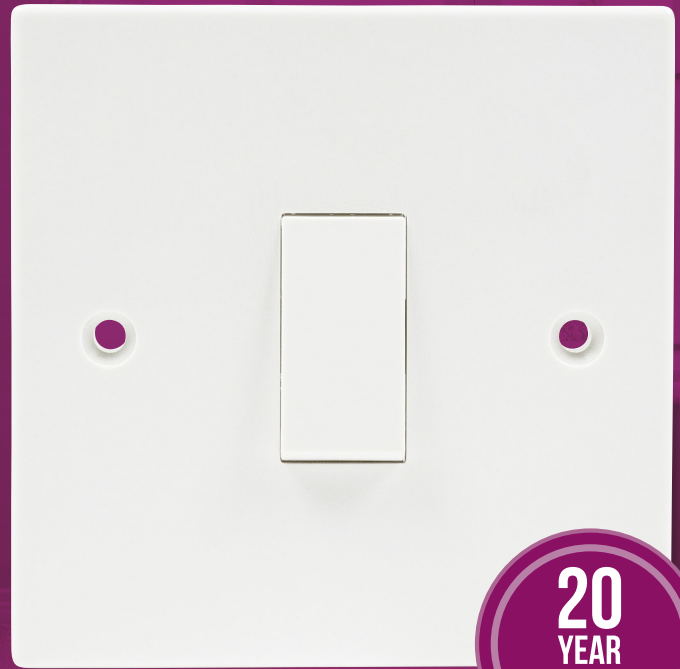


# SP6INT

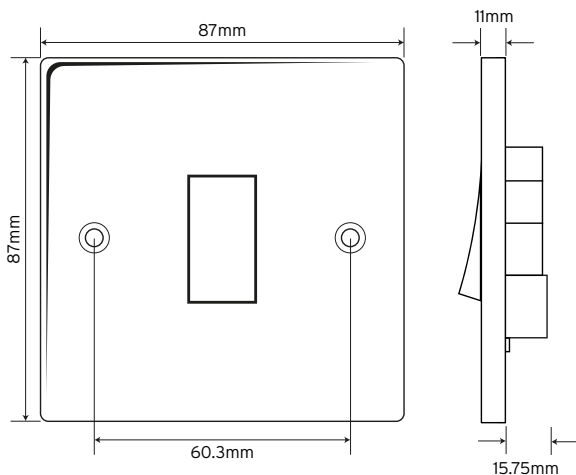
## 1 Gang Intermediate Light Switch



**20  
YEAR  
GUARANTEE**

A white, square-edged, moulded accessory manufactured in a robust urea construction. Arctic Edge offers traditional design values for new, or existing installations.

#### Technical Drawing



#### Technical Specifications

##### Material Composition:

Front Plate	Urea
Rear Housing	Urea
Terminals	Brass
Terminal Screws	Steel & Yellow Passivated Silver "on-lay" Copper/Brass Contacts
Voltage	240V ~ 50Hz
Current Rating	10AX
Terminal Size	3.5mm Ø
Torque Value	0.5Nm
Cable Size	4x1.5mm <sup>2</sup> or 2x2.5mm <sup>2</sup>
Back Box Depth	16mm - 47mm
Warranty	20 years
IP Rating	IP20
Operational Temperature	-5 ° to +40 °C
Standards	The Low Voltage Directive 2006/95/EC, Modified ISO 22196, EN 60669-1:1999 + A1:2002 + A2:2008 (BS EN60669-1:2000)