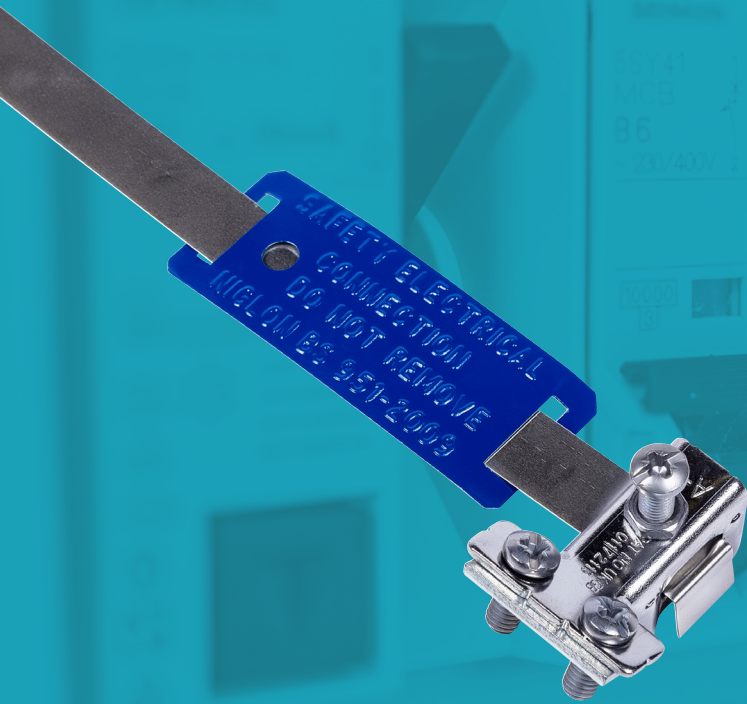


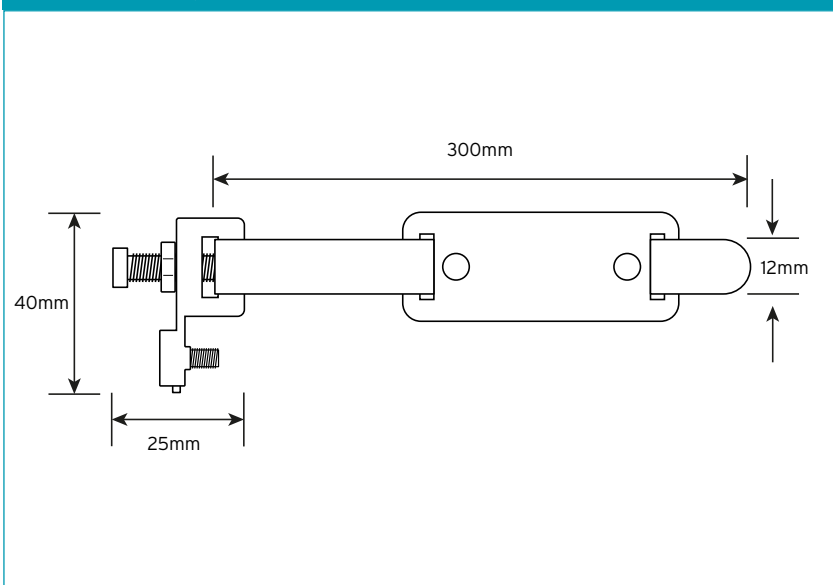
# niglon

## Circuit Protection

# AEC3/3 Damp Condition Clamps



### Technical Drawing



### Technical Specifications

<b>Pipe Diameter</b>	50-75mm
<b>Maximum Conductor</b>	A-E 2 x 16mm <sup>2</sup>
<b>Standard of Compliance</b>	BS 951
<b>Clamp Dimension</b>	25 x 40 x 13mm (H x W x D)
<b>Strap Dimension</b>	12 x 300mm (W x L)
<b>Material:</b>	
<b>Screws</b>	Galvanized Steel
<b>Thrust Piece and Clamping Lug</b>	Nickle Plated Brass
<b>Strap</b>	Bronze Strap, Nickle Plated