

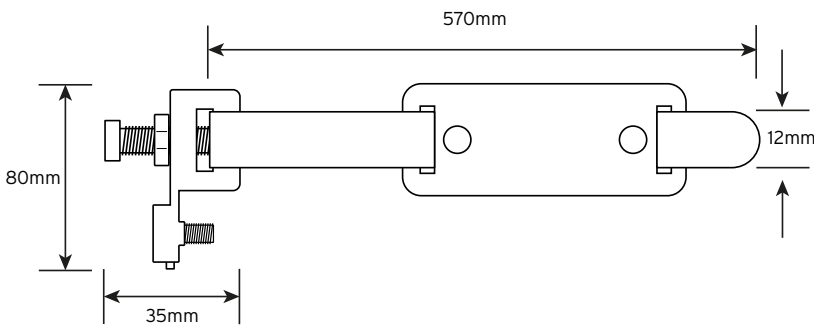
niglon

Circuit Protection

AEC5/6 Heavy Duty Clamps Dry Conditions



Technical Drawing



Technical Specifications

Pipe Diameter	100-150mm
Maximum Conductor	F-H 1 x 75mm ²
Standard of Compliance	BS 951
Clamp Dimension	35 x 80mm (H x W)
Strap Dimension	12 x 570mm (W x L)
Material:	
Screws	Galvanized Steel
Thrust Piece and Clamping Lug	Nickle Plated Brass
Strap	Bronze Strap, Nickle Plated