

niGLON

Wiring Accessories

PREMIUM
EDGE

D-FS13DP

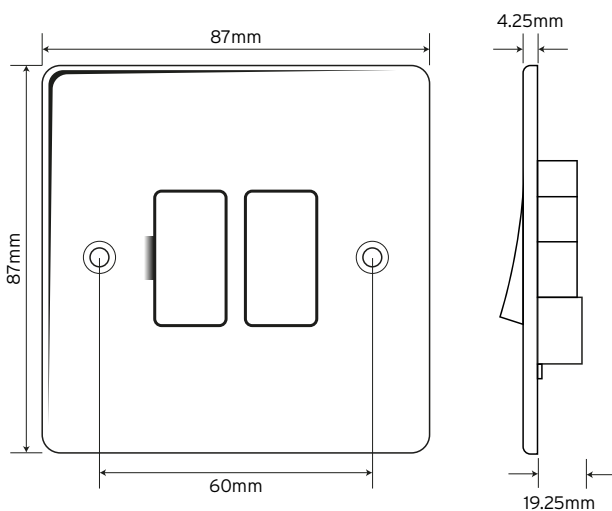
13A Switched Fused Connection Unit



20
YEAR
GUARANTEE

A comprehensive, modern, ultra-slim, decorative, metal-plated accessory range finished in brushed and polished chrome with white or black inserts.

Technical Drawing



Technical Specifications

Material Composition:

| | |
|--------------------------------|--|
| Front Plate | Stainless Steel |
| Rear Housing | Urea |
| Terminals | Brass |
| Earth Strap | Mild Steel |
| Terminal Screws | Steel & Yellow Passivated Silver "on-lay" Copper/Brass Contacts |
| Voltage | 240V ~ 50Hz |
| Current Rating | 13A |
| Terminal Size | 5mm Ø |
| Torque Value | 2.0Nm |
| Cable Size | 3x2.5mm ² or 2x4.0mm ² |
| Back Box Depth | 25mm - 47mm |
| Twin Earth | Yes |
| Double Pole | Yes |
| Warranty | 20 years |
| IP Rating | IP20 |
| Operational Temperature | -5° to +40°C |
| Standards | BS 1363-4:1995+A4:2012 Fuses to BS 1362:1973 |