

# niglon

## Wiring Accessories

### PREMIUM EDGE

## D-SP45DP

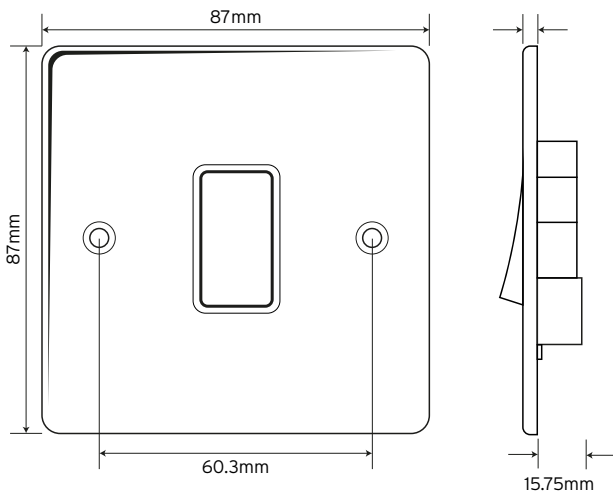
### 45A DP Switch Single Plate



20  
YEAR  
GUARANTEE

A comprehensive, modern, ultra-slim, decorative, metal-plated accessory range finished in brushed and polished chrome with white or black inserts.

#### Technical Drawing



#### Technical Specifications

##### Material Composition:

Front Plate	Stainless Steel
Rear Housing	Urea
Terminals	Brass
Earth Strap	Mild Steel
Terminal Screws	Steel & Yellow Passivated Silver "on-lay" Copper/Brass Contacts
Voltage	240V ~ 50Hz
Current Rating	45A
Terminal Size	6mm
Torque Value	2.5Nm
Cable Size	4x4mm <sup>2</sup> , 3x2.5mm <sup>2</sup> or 1 x 10mm <sup>2</sup>
Back Box Depth	25mm - 47mm
Double Pole	Yes
Twin Earth	Yes
IP Rating	IP20
Warranty	20 years
Standards	The Low Voltage Directive 2006/95/EC, Modified ISO 22196, EN 60669-1:1999 + A1:2002 + A2:2008 (BS EN60669-1:2000) BS 4177:1992 BS 1363-2:1995 + A4 : 2012 (Socket Outlet)
Operational Temperature	-5 ° to +40 °C