

niGLON

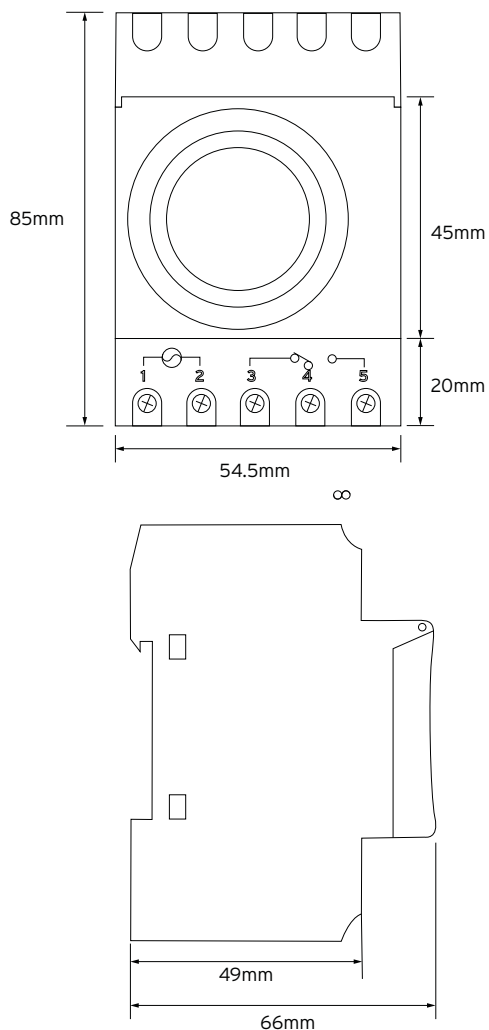
Circuit Protection

DRT24M

24Hr Digital Timer



Technical Drawing



Technical Specifications

Voltage Limit	AC220V ~ 240v (50/60Hz)
Hysteresis	+ 1s/d at 25 °c
On/off operation	48on & 48 off
Minimum interval	15min
Weight	Approx 200g
Display	LCD
Battery backup	150h
Number of circuits	1c
Load capacity	16A 250VAS (ohmic load cos ϕ =1)
Service life	Mechanically: 10 ⁷ Electrically: 10 ⁵
Ambient Temperature	-10 ~ 55 °C
Storage Temperature	-20 ~ +70 °c
Power Consumption	5VA
Dimensions	85x54.5x66mm (HxWxD)