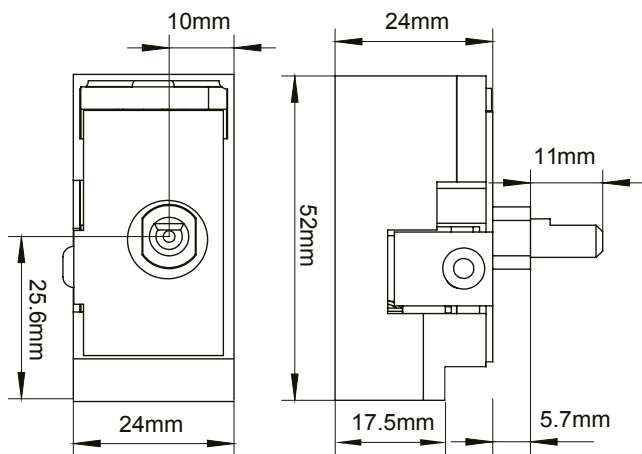


LEDDIM120 2 Way LED Dimmer



Technical Drawing



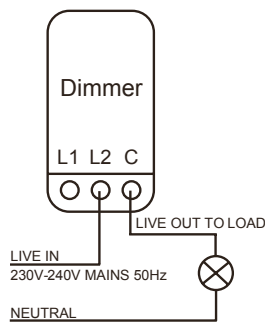
Technical Specifications

Supply Voltage	200-250V AC
Compatible with	LED, Halogen, Incandescent, CFL & GLS
Programmable	3 Mode settings for improved compatibility
Extra	In-built overload protection
Warranty	3 Years
Dimensions	70x70x47mm

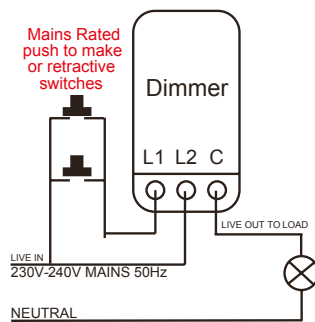
Maximum Loads

Lighting Type	Push on/off Dimmer
GLS	200W
Mains Halogen	150W
Low Voltage Halogen (Max. 10 transformers per gang)	150W
Eco Halogen	150W
Dimmable LED	1 to 10 LEDs (max. 120W)
Dimmable CFL	120 W

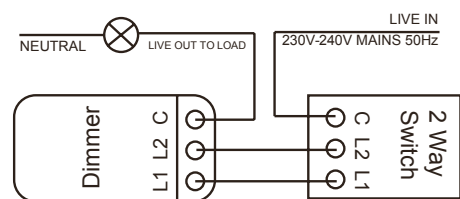
Wiring Diagrams



1 Way Dimming



2 or 3 Way Dimming



Dimmer Must Replace one of 2 Way Switch