

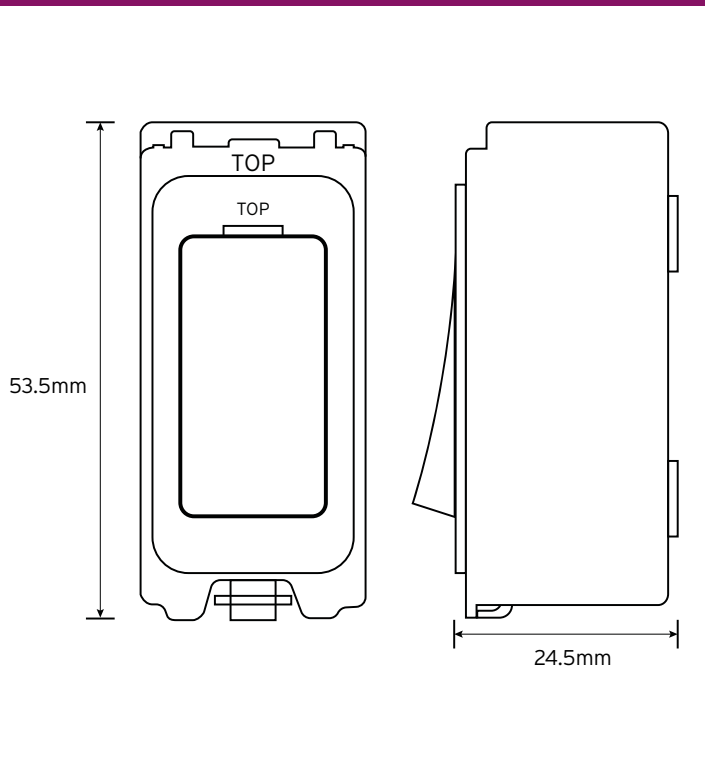
## M2-DP 20AX Module - 2 Way double pole



**20  
YEAR  
GUARANTEE**

A well-executed design offering the flexibility of a dedicated control range for a variety of high-end and performance-demanding applications.

### Technical Drawing



### Product Range

<b>M2-DP</b>	White Module
<b>M2-DP-PC</b>	Polished Chrome Module
<b>M2-DP-BC</b>	Brushed Chrome Module

Each Product is available in both brushed (BC) and polished chrome (PC). When ordering individual items make sure to add on the correct finish to guarantee you receive the desired product.

### Technical Specifications

<b>Finishes Available</b>	White, Polished Chrome & Brushed Chrome
<b>Dimensions</b>	Module: 24.5 x 53.5 mm (WxH) Aperture: 16 x 30mm (WxH)
<b>Voltage</b>	250V~50Hz
<b>Current Rating</b>	20A
<b>Terminal Size</b>	5mm Diameter
<b>Torque Value</b>	1.2Nm
<b>Cable Size</b>	2x4mm <sup>2</sup> , 3x2.5mm <sup>2</sup> or 2x6mm <sup>2</sup>
<b>Back Box Depth</b>	35mm
<b>Double Pole</b>	Yes
<b>Operational Temperature</b>	-5°C - +4°C
<b>Warranty</b>	20 Years
<b>Standards</b>	BS 60669-1