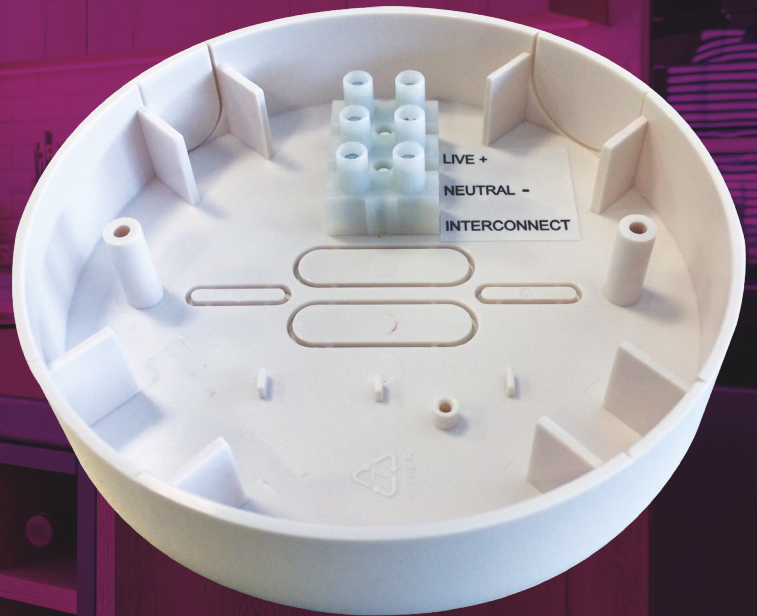


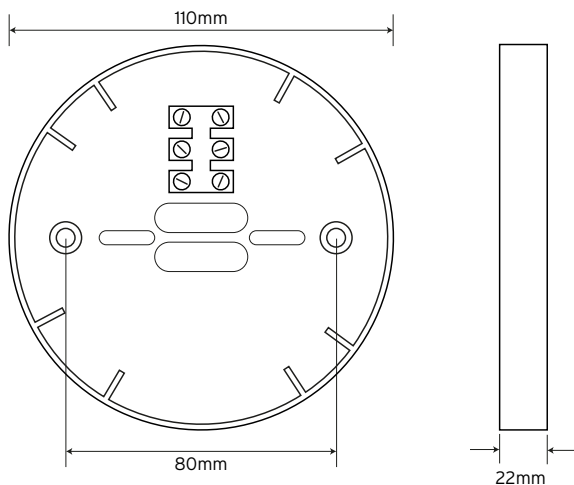
### PA1

## Accessory Pattress for NFA01 & NFA03



This pattress box is an accessory only with smoke alarm NFA01 or heat alarm NFA03 and is used to activate auxiliary devices. All devices to be activated must be 220~240V. 50Hz or 60V DC 3 Amps maximum.

#### Technical Drawing



#### Technical Specifications

<b>Material Composition:</b>	Urea
<b>Power Source</b>	AC230V 50Hz 40mA DC9V+/-5%
<b>Dimensions</b>	110mm (D) x 22mm (H)
<b>Knock-out</b>	2 x 20mm, 2 x 28mm
<b>Standards</b>	BS EN14604, 50130-4 & 61000-6-3 where applicable

#### Main Features

- Easy open & close
- Knock-outs provide flexibility of cable entry
- Easy installation
- Robust ABS design
- Supplied with wall plugs & screws