

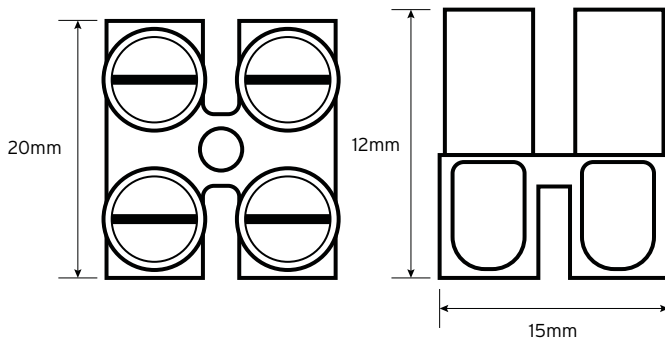
# niglon

## Wiring Accessories



# PN2TCE 12 Way Connector Terminal Thermoplastic

### Technical Drawing



### Technical Specifications

<b>Rated insulation voltage</b>	450V
<b>Rated current</b>	32A
<b>Rated connecting capacity</b>	4.0mm <sup>2</sup>
<b>Smallest cross-sectional area</b>	0.5mm <sup>2</sup>
<b>Screw terminals</b>	Screw Connection
<b>Number of conductors in clamping unit</b>	1x
<b>Number of poles</b>	2-12
<b>Ambient temperature</b>	T110/T135/T150
<b>Screw diameter</b>	2.5mm
<b>Material of insulation</b>	PP/PA66V2/PA66V0
<b>Certified</b>	
<b>Size</b>	12mm High x 15mm Wide x 20mm Deep