

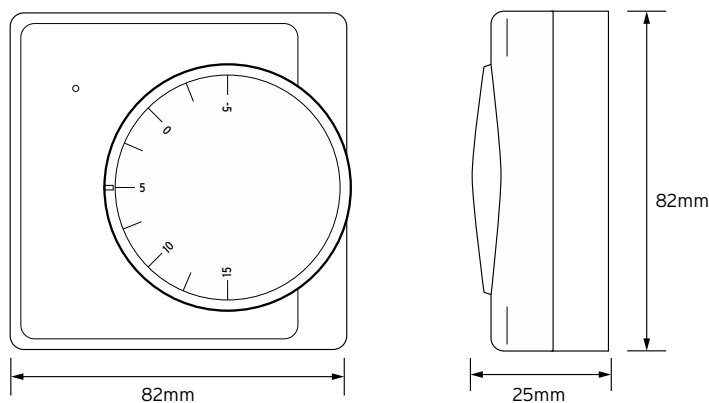
niglon

Wiring Accessories




TY92A1FST Frost Stat (Single Throw)

Technical Drawing



Technical Specifications

Temperature Range	-5/15°C 5/35°C
Differential	<1K
Insulation class	
Max. Operating Temperature	50°C
Storage Temperature	-30 / +70°C
Electrical values of opening contact	10(2)A 250V ~
Electrical values of closing contact	Version A3/A4 3 (1)A 250V~
Protection Degree	IP 20
Dimensions	82 x 82 x 25mm (H x W x D)