

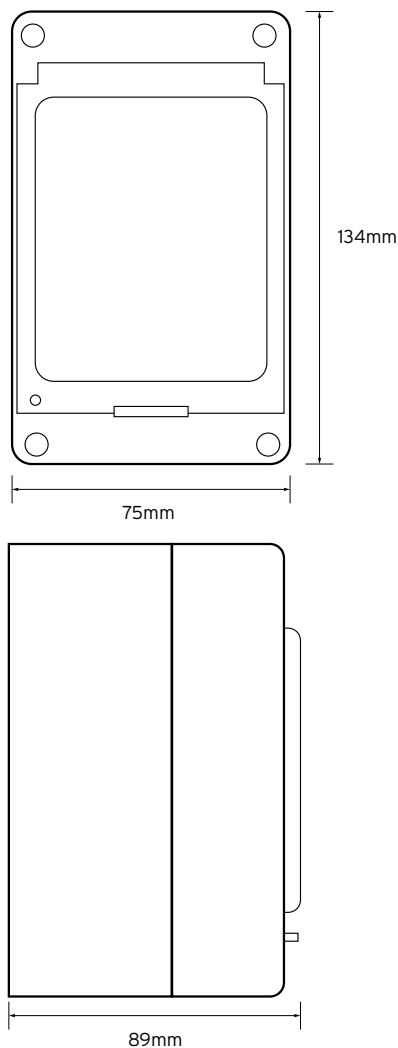
niGLON

Industrial Accessories

35105 IP65 Moulded Distribution Boxes



Technical Drawing



Technical Specifications

| | |
|---------------------|--------------------------------|
| Max Modules | 2/3 |
| Material | Self extinguishing |
| Knockouts | 2 x PG16 |
| Level of resistance | IK08 |
| Colour | RAL 7035 |
| Ip Rating | IP65 |
| High fire resistant | IEC 695-2-1 |
| Dimensions (HxWxD) | 134 x 75 x 89mm |
| Complete with | 2 grommets for 20mm Ø max tube |