

# niGLON

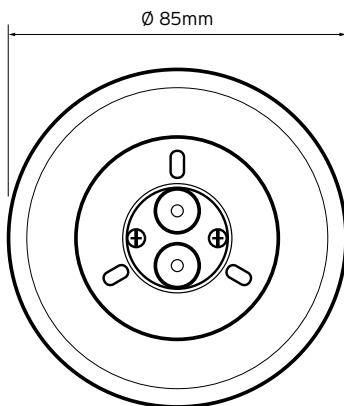
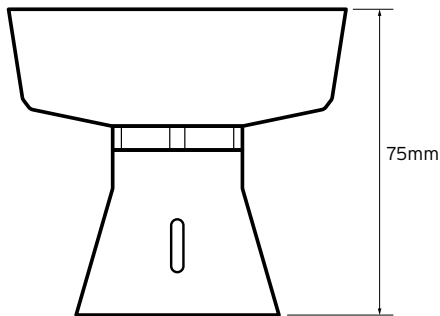
## Wiring Accessories

# BLAHOPW

## Pre-Wired Batten Lampholder



### Technical Drawing



### Technical Specifications

<b>Material:</b>	Urea
<b>Standard of Compliance:</b>	BS EN 61184
<b>No. of Terminals:</b>	4
<b>Rating:</b>	T2
<b>Bulb Fixing:</b>	Bayonet
<b>Dimensions:</b>	Ø 85mm x 75mm

### Features

- Clear base for ease of installation
- H.O. skirt included