

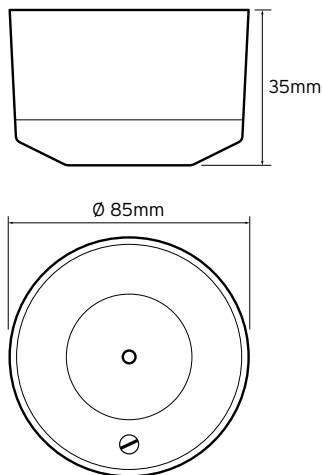
# niglon

Wiring Accessories

## CS62 Ceiling Pull Switch 6AX 2 Way



### Technical Drawing



### Technical Specifications

<b>Material:</b>	Urea
<b>Standard of Compliance:</b>	BS EN 60669-1
<b>Suitable for:</b>	Fluorescent & Inductive loads
<b>Dimensions:</b>	Ø 75mm x 45mm