

niGLON

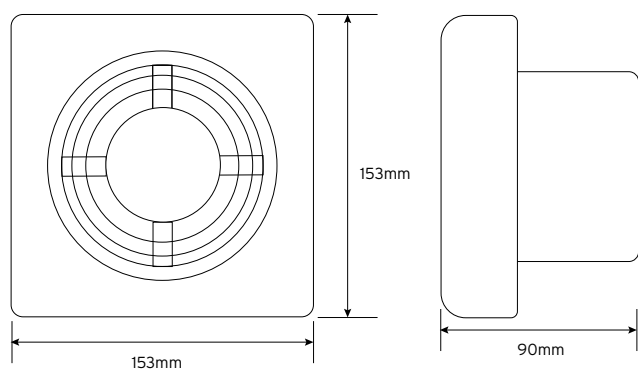
Wiring Accessories



EX4S

4" Wall Fan

Technical Drawing



Technical Specifications

Rated Single Phase	220-240V ~ 50Hz
Wattage	17W
Standard of Compliance	IPX4
Certification	CE
Airflow	Up to 80CMH
Dimensions	153 x 153 x 90mm