

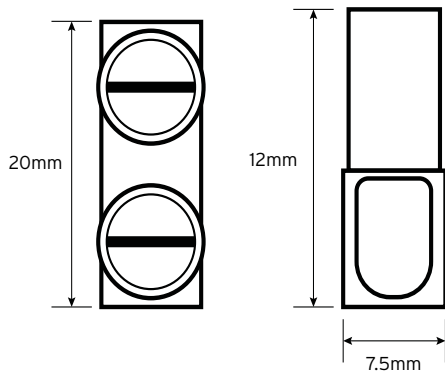
niGLON

Wiring Accessories



PN15 12 Way Strips Economy Range

Technical Drawing



Technical Specifications

Rated insulation voltage	450V
Rated current	15A
Maximum Cable Size	10mm ²
Minimum Cable Size	2.5mm ²
Screw terminals	Screw Connection
Number of poles	1 - 12
Ambient temperature	T80
Screw diameter	2.5mm
Material of insulation	PA66
Size (One way)	12mm High x 7.5mm Wide x 20mm Deep
Certification	