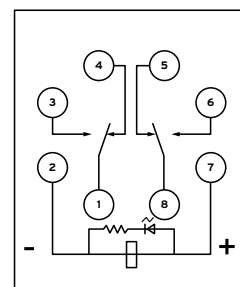
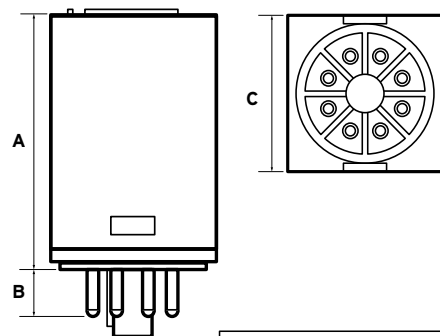


DPCO Plug-in Relays // 8 Pin



Relay and socket easily fit together using the 8 pin connection system.

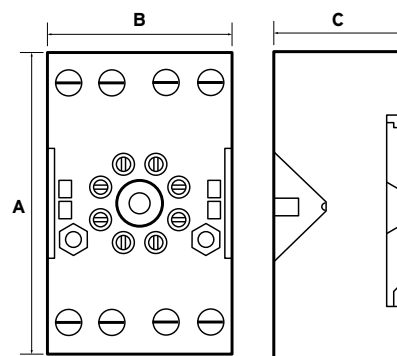
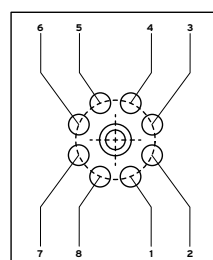


Part No.	Nominal Coil Voltage	Dimensions			Qty
		A (mm)	B (mm)	C (mm)	
8P1012D	12V DC	54	9.5	35	1
8P1024D	24V DC	54	9.5	35	1
8P1024	24V AC	54	9.5	35	1
8P10120	110V AC	54	9.5	35	1
8P10240	230V AC	54	9.5	35	1

Specifications //

- Standard of Compliance - EN 60947-4-1
- Changeover Pinout - Universal 2 pole
- Contacts - 10A AC1
- Low Consumption Coil - DC 1.5W & AC 2.8VA
- Flag indicator
- Lockable test button
- LED indicator

Socket for DPCO Plug-in Relays // 8 Pin



Part No.	Dimensions			Qty
	A (mm)	B (mm)	C (mm)	
8PSOCK	62	38	26	1

Specifications //

- Standard of Compliance - EN 60947-4-1



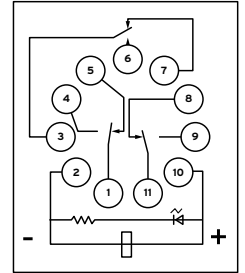
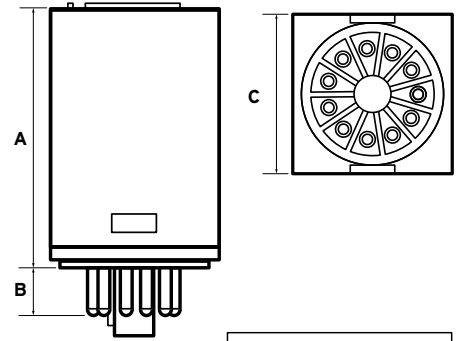
Not Sure About the Model of Your Relay or Socket?

- Take a detailed picture of the relay, send it to our customer sales team: sales@niglon.co.uk
- We will then quickly and easily be able to provide you with the information on any like-for-like equivalents from our own product ranges.

3PCO Plug-in Relays // 11 Pin



Relay and socket easily fit together using the 11 pin connection system.

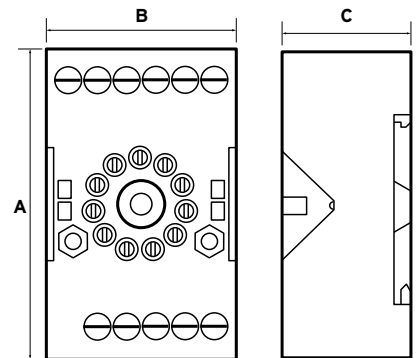
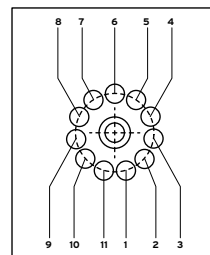


Part No.	Nominal Coil Voltage	Dimensions			Qty
		A (mm)	B (mm)	C (mm)	
11P1012D	12V DC	54	9.5	35	1
11P1024D	24V DC	54	9.5	35	1
11P1024	24V AC	54	9.5	35	1
11P10120	110V AC	54	9.5	35	1
11P10240	230V AC	54	9.5	35	1

Specifications //

- Standard of Compliance - EN 60947-4-1
- Changeover Pinout - Universal 3 pole
- Contacts - 10A AC1
- Low Consumption Coil - DC 1.5W & AC 2.8VA
- Flag indicator
- Lockable test button
- LED indicator

Socket for 3PCO Plug-in Relays // 11 Pin



Part No.	Dimensions			Qty
	A (mm)	B (mm)	C (mm)	
11PSOCK	62	38	26	1

Specifications //

- Standard of Compliance - EN 60947-4-1



Not Sure About the Model of Your Relay or Socket?

- Take a detailed picture of the relay, send it to our customer sales team: sales@niglon.co.uk
- We will then quickly and easily be able to provide you with the information on any like-for-like equivalents from our own product ranges.