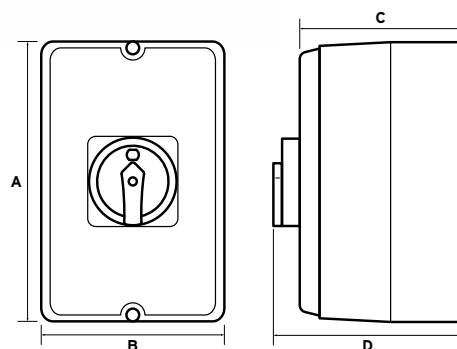
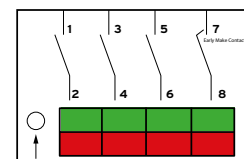


# Enclosed Switch Disconnectors 4 Pole // Polycarbonate



Data Sheet  
Download



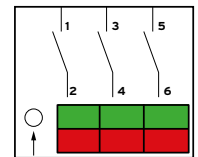
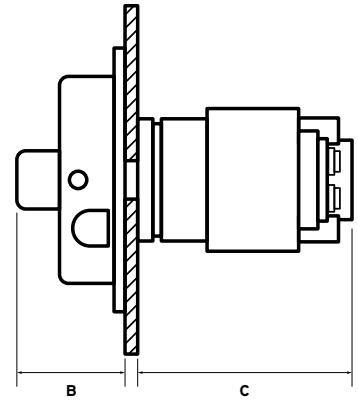
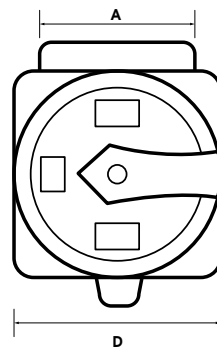
Note 7 = Early Make Contact

**Specifications //**

- Standard of Compliance Enclosure - IEC 61439-1
- Standard of Compliance Switch - IEC EN 60947-1&3, BS EN 60947-3
- \*Material - Glass fibre reinforced polycarbonate
- IP Rating - IP66
- RAL - 7035
- Certification -

Part No.	AC21 (A)	Terminal Capacity (mm)	Dimensions				Qty
			A (mm)	B (mm)	C (mm)	D (mm)	
IS204	20	2.5	126	101	86	114.5	1
IS254	25	4.0	126	101	86	114.5	1
IS254P-L	25	4.0	176	115	101	129.5	1
IS324	32	6.0	126	101	86	114.5	1
IS324P-L	32	6.0	176	116	101	129.5	1
IS404	40	10	176	116	101	129.5	1
IS634	63	16	176	116	101	129.5	1
IS804	80	25	240	160	122	150.5	1
IS1004	100	35	240	160	122	150.5	1
IS1254P	125	50	240	160	122	150.5	1
IS1254P-G*	125	50	280	190	130	180	1
IS1504P-G*	150	70	280	190	130	180	1

## Rear of Panel Isolators 3 Pole

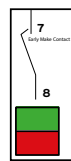


Part No.	AC22 (A)	Shaft Length (mm)	Dimensions				Qty
			A (mm)	B (mm)	C (mm)	D (mm)	
PIS325	25	300	48	28	65	67	1
PIS332	32	300	48	28	65	67	1
PIS340	40	300	48	28	65	67	1
PIS363	63	300	48	28	65	67	1
PIS380	80	300	48	28	65	67	1
PIS3100	100	300	87	28	59	88	1
PIS3125	125	300	87	28	59	88	1

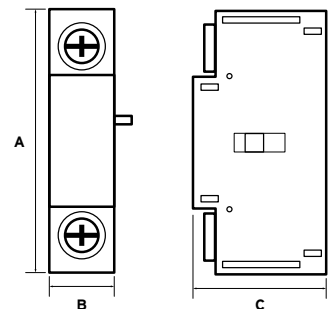
### Specifications //

- Standard of Compliance Switch - IEC EN 60947-1&3
- IP Rating - IP20
- Certification -  

## Additional Neutral Block



Note 7 = Early Make Contact

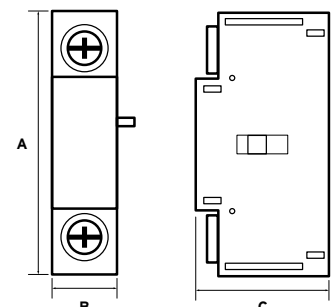
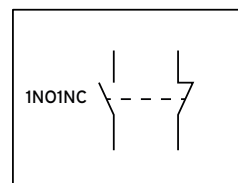


Part No.	AC22 (A)	Dimensions			Qty
		A (mm)	B (mm)	C (mm)	
ISN32	32	73	15	38	1
ISN40	40	73	15	38	1
ISN63	63	73	15	38	1
ISN80	80	73	15	38	1
ISN100	100	73	15	38	1
ISN125	125	73	15	38	1

### Specifications //

- Standard of Compliance - IEC60947-3
- IP Rating - IP20
- Type - Fully rated

## Auxiliary Contacts



Part No.	Contact Configuration	Compatible with	Dimensions			Qty
			A (mm)	B (mm)	C (mm)	
AUX1	1NO/1NC	25-32A	69	12	34	1
AUX3	1NO/1NC	40-63A	69	12	34	1
AUX5	1NO/1NC	80-125A	69	12	34	1

Note - the above can also be used with IS type boxed isolators

### Specifications //

- Standard of Compliance - IEC60947-1
- IP Rating - IP20
- Rating - 10A AC1