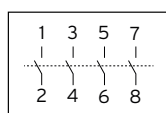
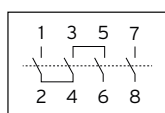


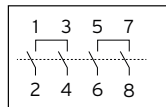
Enclosed DC Switch Disconnectors 4 Pole // Polycarbonate



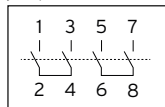
4 Pole



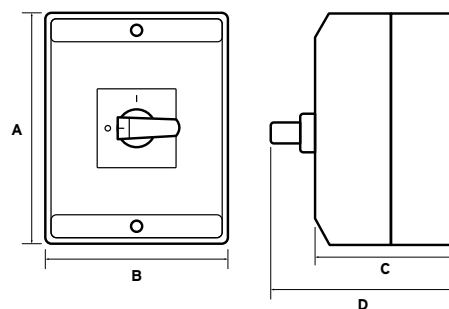
4 Pole with jumper link



2 Pole in series & 2 Pole in parallel



2+2 Pole



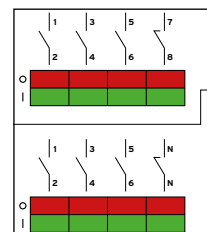
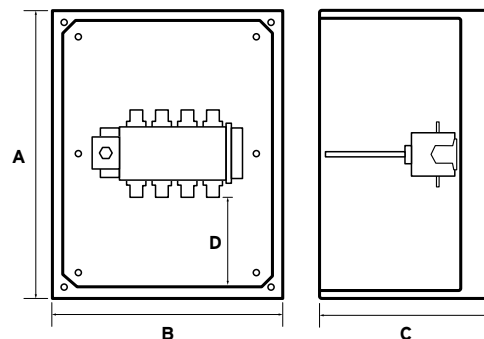
Download

Part No.	DC21-B (A)	Terminal Capacity (mm ²)	Dimensions				Qty
			A (mm)	B (mm)	C (mm)	D (mm)	
ISDC164	16	2.5	160	83	86	116	1
ISDC254	25	4.0	160	83	86	116	1
ISDC324	32	6.0	160	83	86	116	1

Specifications //

- Standard of Compliance Enclosure - IEC 61439-1
- Standard of Compliance Switch - EN60947-3 & EN60364-7
- Insulation Voltage - 1500V
- IP Rating - IP66
- Colour top - RAL7035
- Certification -

Enclosed Switch Disconnectors 4 Pole // GRP



Download

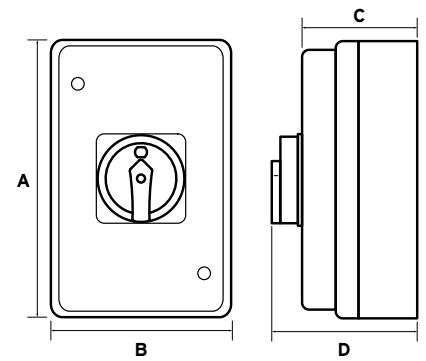
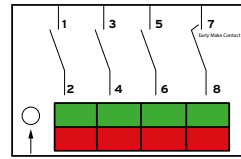
Part No.	AC23 (A)	Terminal Size (mm)	Dimensions				Qty
			A (mm)	B (mm)	C (mm)	D (mm)	
PC1604P	160	M8x25	400	300	210	129	1
PC2004P	200	M8x25	500	400	210	168	1
PC2504P	250	M10x30	500	400	210	168	1
PC3154P	315	M10x30	500	400	210	168	1
PC4004P	400	M10x40	700	500	300	297	1
PC6304P	630	M12x40	800	600	300	288	1
PC8004P	800	M12x40	800	600	300	288	1

Specifications //

- Standard of Compliance Enclosure - EN62208
- Standard of Compliance Switch - EN 60947-3
- IP Rating - IP65 (internal fixing system)
- Material - Glass fibre reinforced polycarbonate
- Impact Resistance - IK10
- RAL - 7035
- UV Resistance - UL508
- Handle - Accepts up to 3 padlocks and is defeatable
- Terminal Shroud - Fitted on all main terminals


More sizes available on request please call us on 0121 711 1990 or send us an email sales@niglon.co.uk

Enclosed Switch Disconnectors 4 Pole // Mild Steel

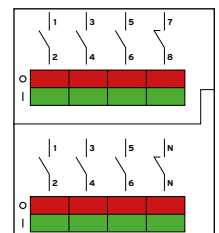
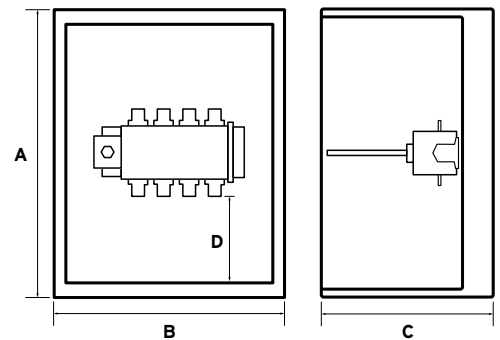


Part No.	AC23 (A)	Terminal Capacity (mm)	Dimensions				Qty
			A (mm)	B (mm)	C (mm)	D (mm)	
ISM404P	40	10	220	145	95	130	1
ISM634P	63	16	220	145	95	130	1
ISM804P	80	25	270	220	108	150	1
ISM1004P	100	35	270	220	108	150	1

Specifications //

- Standard of Compliance Enclosure IEC 61439-1
- Standard of Compliance Switch - IEC EN 60947-1&3
- IP Rating - IP54
- RAL - 7035
- Certification - 

Enclosed Switch Disconnectors 4 Pole // Mild Steel



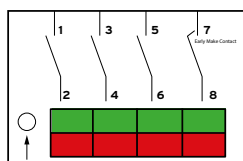
Part No.	AC23 (A)	Terminal Size (mm)	Dimensions				Qty
			A (mm)	B (mm)	C (mm)	D (mm)	
MS1604P	160	M8x25	400	300	200	129	1
MS2004P	200	M8x25	500	400	250	168	1
MS2504P	250	M10x30	500	400	250	168	1
MS3154P	315	M10x30	500	400	250	168	1
MS4004P	400	M10x40	600	600	200	247	1
MS6304P	630	M12x40	600	600	200	188	1
MS8004P	800	M12x40	600	600	200	188	1
MS10004P	1000	M12x60	1000	800	300	314	1
MS12504P	1250	M12x60	1000	800	300	314	1

Specifications //

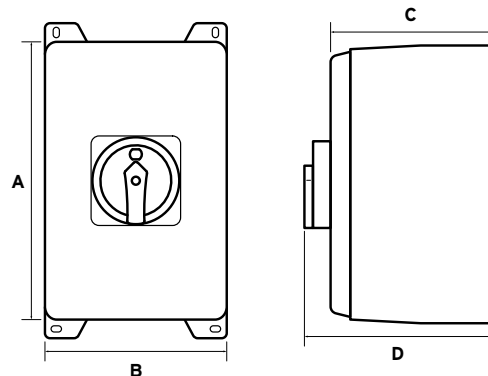
- Standard of Compliance Enclosure - EN 61439-1
- Standard of Compliance Switch - EN 60947-3
- IP Rating - IP65 (polyurethane gasket)
- RAL - 7035
- Finish - Epoxy powder paint
- Gland Plate - Bottom entry
- Comes with - Wall mount brackets and double bit lock
- Handle - Accepts up to 3 padlocks and is defeatable
- Terminal Shrouds - Fitted on all main terminals

More sizes available on request please call us on 0121 711 1990 or send us an email sales@niglon.co.uk

Enclosed Switch Disconnectors 4 Pole // Stainless Steel



Note 7 = Early Make Contact

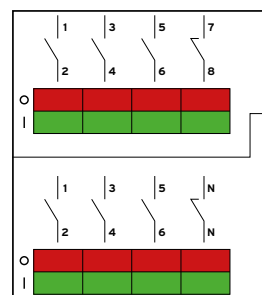
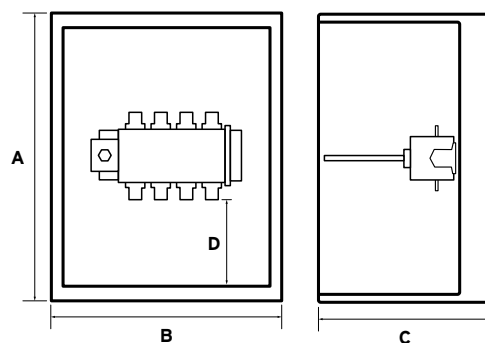


Part No.	AC23 (A)	Terminal Capacity (mm)	Dimensions				Qty
			A (mm)	B (mm)	C (mm)	D (mm)	
ISS324P	32	6.0	160	120	83	120	1
ISS404P	40	10	260	160	96	135	1
ISS634P	63	16	260	160	96	135	1
ISS804P	80	25	260	160	116	160	1

Specifications //

- Standard of Compliance Enclosure - IEC 61439-1
- Standard of Compliance Switch - IEC EN 60947-1&3
- IP Rating - IP65
- Certification -

Enclosed Switch Disconnectors 4 Pole // Stainless Steel



Part No.	AC23 (A)	Terminal Size (mm)	Dimensions				Qty
			A (mm)	B (mm)	C (mm)	D (mm)	
SS1604P	160	M8x25	400	300	200	129	1
SS2004P	200	M8x25	500	400	250	168	1
SS2504P	250	M10x30	500	400	250	168	1
SS3154P	315	M10x30	500	400	250	168	1
SS4004P	400	M10x40	600	600	200	247	1
SS6304P	630	M12x40	600	600	200	188	1
SS8004P	800	M12x40	600	600	200	188	1
SS10004P	1000	M12x60	1000	800	300	314	1
SS12504P	1250	M12x60	1000	800	300	314	1

Specifications //

- Standard of Compliance Enclosure - EN 61439-1
- Standard of Compliance Switch - EN 60947-3
- Material - Stainless steel folded and welded
- IP Rating - IP65 (polyurethane gasket)
- Comes with - Wall mount brackets and double bit lock
- Handle - Accepts up to 3 padlocks and is defeatable
- Terminal Shrouds - Fitted on all main terminals

More sizes available on request please call us on 0121 711 1990 or send us an email sales@niglon.co.uk