

Mini 3 Pole Contactors AC Coil // 12A Rated

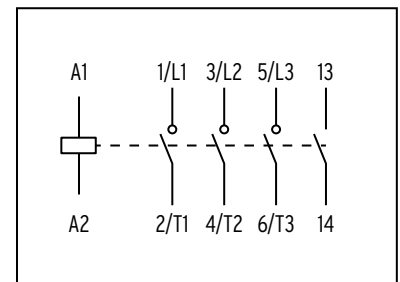
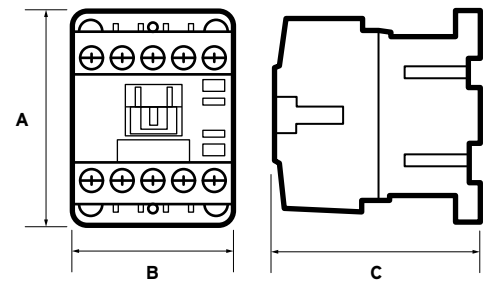


Data Sheet



Download

Part No.	AC Coil (V)	AC3 Motor Rating (A)	Dimensions			Qty
			A (mm)	B (mm)	C (mm)	
4MC1224	24	12	58	45	52	1
4MC12110	110	12	58	45	52	1
4MC12230	230	12	58	45	52	1



Specifications //

- Standard of Compliance - EN 60947-4
- Contacts - Three pole AC3 switching
- Mounting - Din rail or screw
- 10 A Auxiliary Contacts - Front or side mounted
- Certification -

Thermal Overload Relays for Mini Contactors



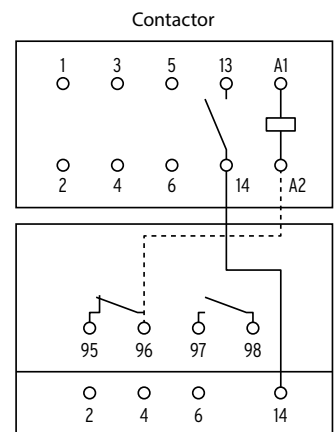
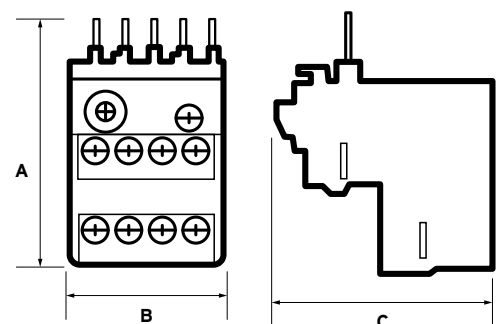
Protective cover to prevent changes being made once set.

Data Sheet



Download

Part No.	Range (A)	Dimensions			Qty
		A (mm)	B (mm)	C (mm)	
ORMC0.16	0.1 - 0.16	73.2	45	63.7	1
ORMC0.25	0.16 - 0.25	73.2	45	63.7	1
ORMC0.40	0.25 - 0.4	73.2	45	63.7	1
ORMC0.63	0.4 - 0.63	73.2	45	63.7	1
ORMC1.0	0.63 - 1.0	73.2	45	63.7	1
ORMC1.6	1.0 - 1.6	73.2	45	63.7	1
ORMC2.5	1.6 - 2.5	73.2	45	63.7	1
ORMC4	2.5 - 4	73.2	45	63.7	1
ORMC6	4 - 6	73.2	45	63.7	1
ORMC8	5 - 8	73.2	45	63.7	1
ORMC10	6 - 10	73.2	45	63.7	1
ORMC13	9 - 13	73.2	45	63.7	1



Specifications //

- Standard of Compliance - EN 60947-4
- Overload Trip - Bimetallic
- Trip - Class 10A to IEC 60947-4-1
- Trip Axillary Contact - 1NO and 1NC
- Failure Protection - Differential current/phase failure
- Reset - Manual/automatic
- Connection - 5 pin for ease of wiring
- Certification -