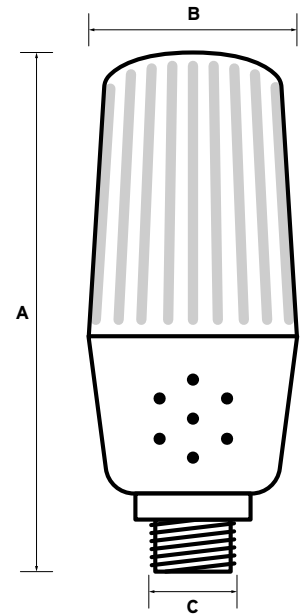
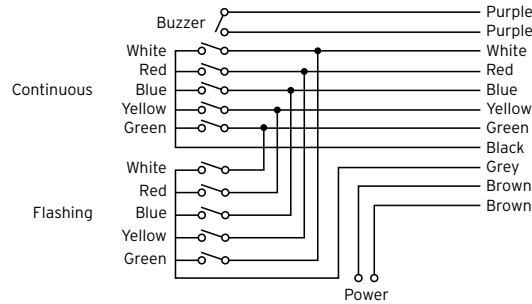


Multifunction Beacons




Shown mounted to the optional aluminium base accessory MBA-AB.



Part No.	Voltage (V)	Dimensions			Qty
		A (mm)	B (mm)	C (mm)	
MB12	12 AC/DC	122.8	55.3 Ø	M22	1
MB24	24 AC/DC	122.8	55.3 Ø	M22	1
MB240	220 AC	122.8	55.3 Ø	M22	1

Specifications //

- Standard of Compliance - BS EN 60947-5-1
- Colours - 5 selectable colours
- Setting - Steady or flashing
- Buzzer sound level - 90Db built in
- Certification - 

Beacon Accessories



Wall support can be positioned through 180° to aid flexibility.

Part No.	Description	Dimensions			Qty
		A (mm)	B (mm)	C (mm)	
MBA-AB	Aluminium base	65	29 Ø	20	1
MBA-PA	Black pipe adaptor	50	25 Ø	20	1
MBA-WB	Adaptable wall support with tube	93	68 Ø	20	1

Specifications //

- Standard of Compliance - BS EN 60947-5-1
- Construction - Corrosion resistant aluminium
- Fixing - Simple
- Finish - Durable paint
- Certification - 