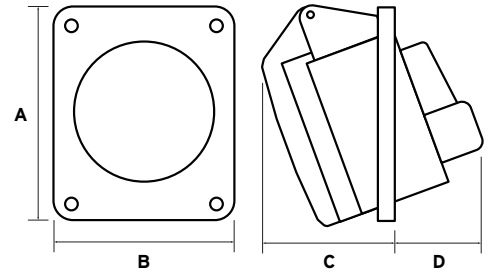


Panel Mounted Sockets // Angled



Part No.	Amps (A)	Volts (V)	Pin Configuration	IP Rating	Dimensions				Qty
					A (mm)	B (mm)	C (mm)	D (mm)	
57201	16A	110	2P+E	IP44	70	70	47	38	1
57204	16A	240	2P+E	IP44	70	70	47	38	1
57208	16A	415	3P+E	IP44	70	70	47	38	1
57209	16A	415	3P+E+N	IP44	70	70	49	38	1
57216	32A	240	2P+E	IP44	70	70	54	48	1
57217	32A	415	3P+E+N	IP44	70	70	54	48	1
17281	63A	240	2P+E	IP67	100	100	74	80	1
17282	63A	415	3P+E	IP67	100	100	74	80	1
17283	63A	415	3P+E+N	IP67	100	100	74	80	1

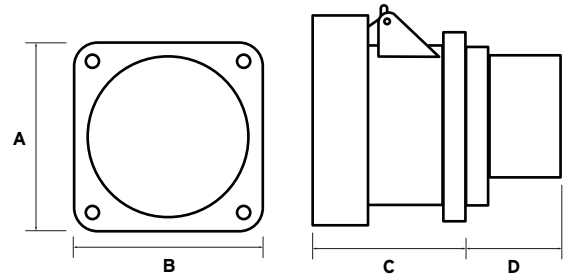
Fixing Centres IP44 - 56x56mm
Fixing Centres IP67 - 80x80mm



Specifications //

- Standard of Compliance - BS EN 60309-1&2
- Housing Material - PA6
- Contacts - Copper Zinc alloy
- Full certification - See page 87

Panel Mounted Sockets // Straight



Part No.	Amps (A)	Volts (V)	Pin Configuration	IP Rating	Dimensions				Qty
					A (mm)	B (mm)	C (mm)	D (mm)	
57480	16A	110	2P+E	IP44	70	70	55	21	1
57481	16A	240	2P+E	IP44	70	70	55	21	1
57482	16A	415	3P+E	IP44	70	70	55	21	1
57483	16A	415	3P+E+N	IP44	70	70	55	21	1
57484	32A	240	2P+E	IP44	70	70	67	23	1
57485	32A	415	3P+E+N	IP44	70	70	67	23	1
17824	63A	240	2P+E	IP67	100	100	80	50	1
17825	63A	415	3P+E	IP67	100	100	80	50	1
17826	63A	415	3P+E+N	IP67	100	100	80	50	1

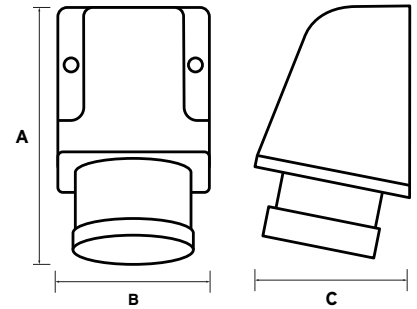
Fixing Centres IP44 - 56x56mm
Fixing Centres IP67 - 80x80mm



Specifications //

- Standard of Compliance - BS EN 60309-1&2
- Housing Material - PA6
- Contacts - Copper Zinc alloy
- Full certification - See page 87

Surface Mounted Appliance Inlets // Angled



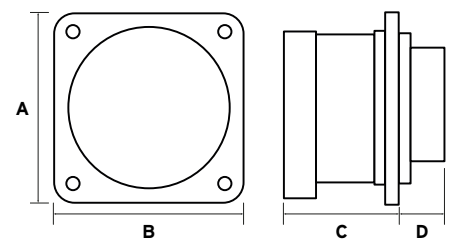
Part No.	Amps (A)	Volts (V)	Pin Configuration	IP Rating	Dimensions			Qty
					A (mm)	B (mm)	C (mm)	
21501	16A	110	2P+E	IP44	120	70.5	76	1
21504	16A	240	2P+E	IP44	120	70.5	76	1
21508	16A	415	3P+E	IP44	121	70.5	76	1
21509	16A	415	3P+E+N	IP44	122	70.5	76	1
21516	32A	240	2P+E	IP44	131	70.5	76	1
21521	32A	415	3P+E+N	IP44	132	70.5	76	1
17578	63A	240	2P+E	IP67	271	118	175	1
17582	63A	415	3P+E	IP67	271	118	175	1
17583	63A	415	3P+E+N	IP67	271	118	175	1



Specifications //

- Standard of Compliance - BS EN 60309-1&2
- IP44 Housing Material - PA6
- IP67 Housing Material - PC/ABS
- Contacts - Copper Zinc alloy
- Full certification - See page 87

Panel Mounted Appliance Inlets // Straight



Part No.	Amps (A)	Volts (V)	Pin Configuration	IP Rating	Dimensions				Qty
					A (mm)	B (mm)	C (mm)	D (mm)	
57486	16A	110	2P+E	IP44	70	70	42	21	1
57487	16A	240	2P+E	IP44	70	70	42	21	1
57488	16A	415	3P+E	IP44	70	70	42	21	1
57489	16A	415	3P+E+N	IP44	70	70	42	20	1
57490	32A	240	2P+E	IP44	70	70	51	21	1
57491	32A	240	3P+E+N	IP44	70	70	51	21	1
17287	63A	415	2P+E	IP67	100	100	109	8	1
17288	63A	415	3P+E	IP67	100	100	109	8	1
17289	63A	415	3P+E+N	IP67	100	100	109	8	1

Fixing Centres IP44 - 56x56mm
Fixing Centres IP67 - 80x80mm



Specifications //

- Standard of Compliance - BS EN 60309-1&2
- Housing Material - PA6
- Contacts - Copper Zinc alloy
- Full certification - See page 87