



ENCLOSED SWITCHGEAR

POLYCARBONATE ROTARY ENCLOSED SWITCH DISCONNECTOR 4 POLE IS404

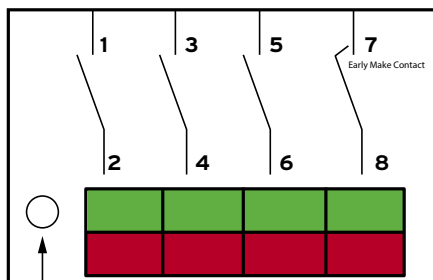
General Characteristics

Standards	EN60947-3
Rated Current	40A
No. of Poles	4
Rated Insulation Voltage(V)	690V
Rated Operating Current(A)	40
AC-22A	40
AC-23A	40
AC-3	32
Rated Voltage(Ue)	440V
Rated Power Control(KW)	15
Rated short-time withstand current(Icw)	800A
Connect Wire	10mm ²
Screw Torque	1.2 N.m

Enclosure Characteristics

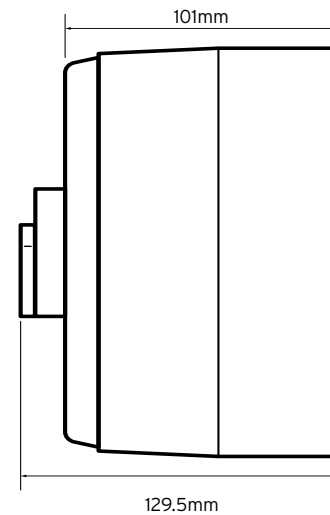
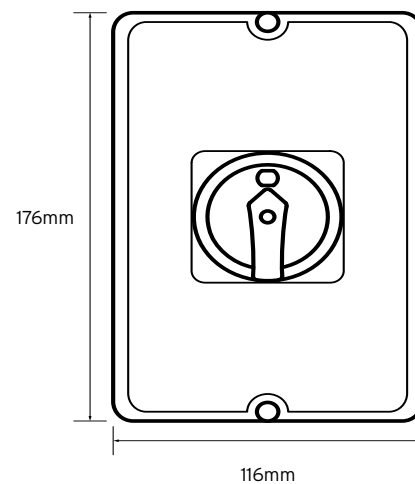
Overall Dimensions HxWxD	176x116x101mm
Depth with switch	129.5mm
Degree of IP	IP65
Colour	Upper cover RAL9002, Bottom case RAL 7031

Wiring Diagram



Note 7 = Early Make Contact

Technical Drawing



Additional Information

This product is for use by skilled persons or instructed persons. The installation of this product must comply with current IEE regulations. The IP rating of the unit can be compromised if the correct use of glands is not followed. Terminals, including those factory fitted, must be checked for correct tightness before commissioning. All terminals should be periodically checked for correct tightness. The data herein serves only to describe the product and should not be regarded as representing guaranteed properties in the legal sense. We reserve the rights of modification, whilst every care has been taken in ensuring the accuracy of this catalogue, the Supplier accepts no liability whatsoever for any eventuality arising from errors or omissions within its catalogues, brochures or within any online presence.