

## ENCLOSURES

### GRP OPAQUE LID ENCLOSURE PBOX06

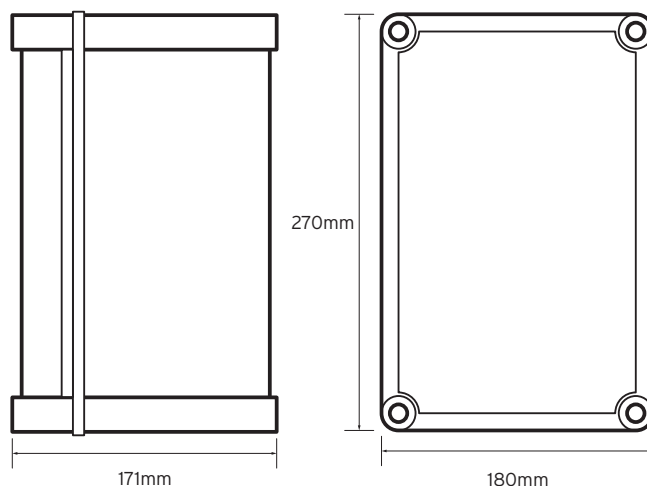


Glass fibre reinforced polycarbonate adaptable box for use in harsh environments. Opaque lid fixed with four screws. Moulded base has various fixing points for backplates and printed circuit boards.

#### General Characteristics

Standards	IEC 62262, IEC 60529
Material	GRP
Colour	RAL 7035
Flame test	960°C Glow Wire
Ingress Protection	IP66 / IK09
Height	270mm
Width	180mm
Depth	171mm
Operating Temperature	-30°C to +60°C
Weight	1.18Kg
<b>Available Accessories</b>	
Mounting Plate	PXBP06

#### Technical Drawing



#### Additional Information

The data herein serves only to describe the product and should not be regarded as representing guaranteed properties in the legal sense. We reserve the rights of modification, whilst every care has been taken in ensuring the accuracy of this catalogue, the Supplier accepts no liability whatsoever for any eventuality arising from errors or omissions within its catalogues, brochures or within any online presence.