

RELAYS

VOLTAGE MONITOR VMT3

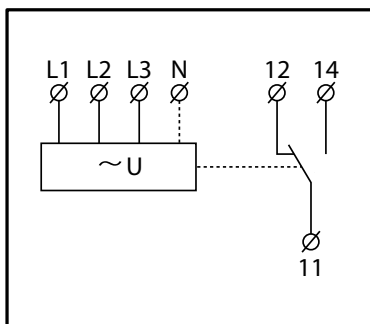


Din rail mounting combined phase failure and phase rotation monitor in a din style housing. LED indication for supply and output

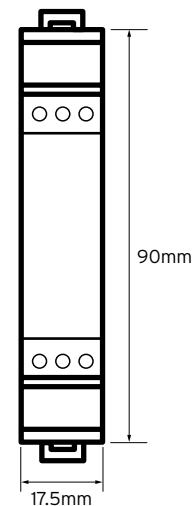
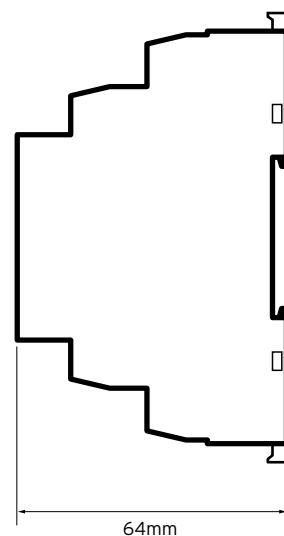
General Characteristics

Standards	EN60255-1, EN60947-5-1
Number of poles	1CO
Contact material	AgNi
Rated Current	10A
Supply Voltage	110 - 240 V AC/DC
Supply Frequency	45/65 Hz
Terminal Capacity	up to 2.5mm ²
Terminal type	Screw Clamp
Tightening Torque	0.7 Nm
Width	17.5mm
Height	76mm
Depth	61mm
Weight	64g
Terminal Capacity	up to 2.5mm ²
Terminal type	Screw Clamp
Tightening Torque	0.7 Nm
Width	17.5mm
Height	90mm
Depth	64mm
Weight	72g

Wiring Diagram



Technical Drawing



Additional Information

This product is for use by skilled persons or instructed persons. The installation of this product must comply with current IEE regulations. Terminals, including those factory fitted, must be checked for correct tightness before commissioning. All terminals should be periodically checked for correct tightness. The data herein serves only to describe the product and should not be regarded as representing guaranteed properties in the legal sense. We reserve the rights of modification, whilst every care has been taken in ensuring the accuracy of this catalogue, the Supplier accepts no liability whatsoever for any eventuality arising from errors or omissions within its catalogues, brochures or within any online presence.