

PANEL COMPONENTS

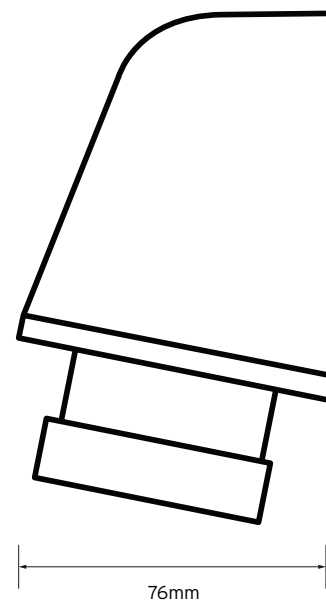
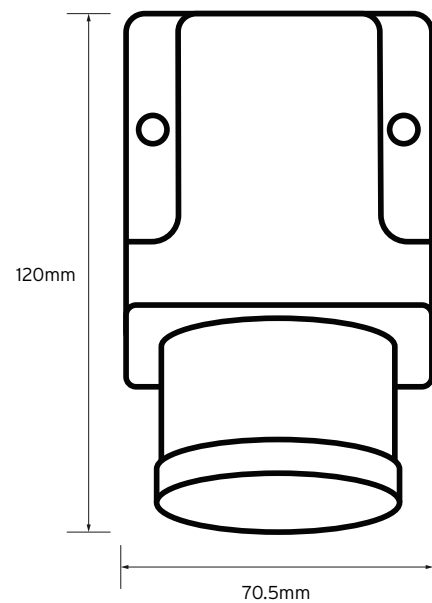
SURFACE MOUNT APPLIANCE INLET - ANGLED 21508

General Characteristics

Standard	BS EN 60309-1 & 2
Voltage	415V
Amperage	16A
Poles	3P+E
Terminal capacity flex cable	1.0 to 2.5mm ²
Terminal capacity solid cable	1.0 to 4.0mm ²
Torque	1 Nm
Knockout	25mm
Degree of Ingress	IP44
Weight	188g
Dimensions (H x W x D)	76 x 70.5 x 120mm



Technical Drawing



Additional Information

This product is for use by skilled persons or instructed persons. The installation of this product must comply with current IEE regulations. Terminals, including those factory fitted, must be checked for correct tightness before commissioning. All terminals should be periodically checked for correct tightness. The data herein serves only to describe the product and should not be regarded as representing guaranteed properties in the legal sense. We reserve the rights of modification, whilst every care has been taken in ensuring the accuracy of this catalogue, the Supplier accepts no liability whatsoever for any eventuality arising from errors or omissions within its catalogues, brochures or within any online presence.