

PANEL COMPONENTS

CEED16

IP20 Diagnostic Plug with LED Display



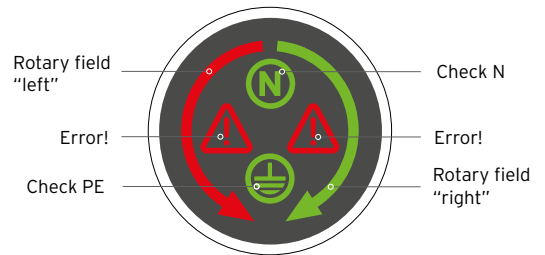
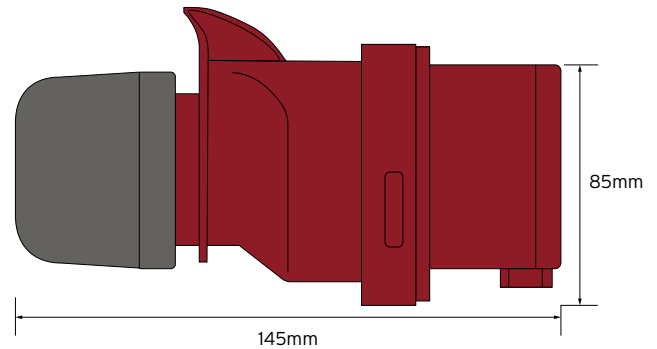
General Characteristics

Material Composition	Shock resistant thermoplastic enclosure
Amps	16A
Volts	415V
Pin Configuration	3P + E + N
IP Rating	IP20
Usual operation temperature	~ +25°C
Certified	OVE & CE
Standards	EN60309-2, EN61000-6-3, EN61000-6-2, EN55022
Dimensions	145 x 85mm (LxH)

*For temporary testing period only! Not meant for permanent use!



Technical Drawing



Display								
L1	✓	✓	✓	✓	L3	L3	L3	L3
L2	✓	✓	✓	✓	L2	L2	L2	L2
L3	✓	✓	✓	✓	L1	L1	L1	L1
N	✓	✓	⚠	⚠	✓	✓	⚠	⚠
PE	✓	⚠	✓	⚠	✓	⚠	✓	⚠

Additional Information

This product is for use by skilled persons or instructed persons. The installation of this product must comply with current IEE regulations. Terminals, including those factory fitted, must be checked for correct tightness before commissioning. All terminals should be periodically checked for correct tightness. The data herein serves only to describe the product and should not be regarded as representing guaranteed properties in the legal sense. We reserve the rights of modification, whilst every care has been taken in ensuring the accuracy of this catalogue, the Supplier accepts no liability whatsoever for any eventuality arising from errors or omissions within its catalogues, brochures or within any online presence.