

PANEL COMPONENTS

POWER DISTRIBUTION BLOCKS DIN-PB125G1

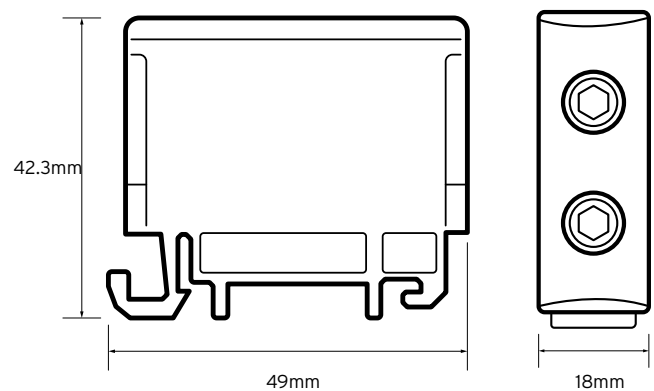


Din rail mounting single pole terminal block for connection of power contacts. Modular design means that individual units can be stacked along the rail

General Characteristics

Standard	EN60947-7-1
Number of poles	1
Colour	Grey
Rated current	125A
Rated voltage Ui	800V
Width	18mm
Height	49mm
Depth	42.3mm
Construction material	PA66 UL94-V-0
Terminal construction	Brass; Zn plated
Terminal capacity	2.5mm ² - 50mm ²
Operating Temperature	≤ 80°C
Connection type	Hex head screw
Ingress protection	IP20
Weight	120g

Technical Drawing



Additional Information

This product is for use by skilled persons or instructed persons. The installation of this product must comply with current IEE regulations. Terminals, including those factory fitted, must be checked for correct tightness before commissioning. All terminals should be periodically checked for correct tightness. The data herein serves only to describe the product and should not be regarded as representing guaranteed properties in the legal sense. We reserve the rights of modification, whilst every care has been taken in ensuring the accuracy of this catalogue, the Supplier accepts no liability whatsoever for any eventuality arising from errors or omissions within its catalogues, brochures or within any online presence.