

niglon

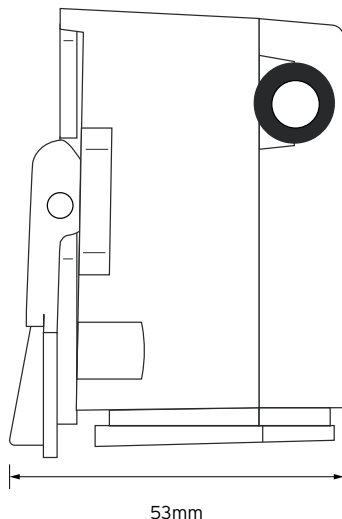
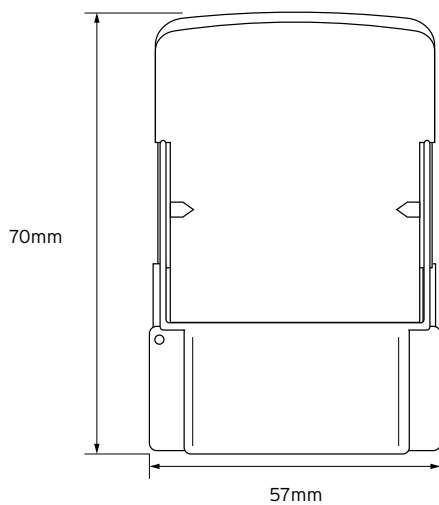
General Lighting

12013

MC040DN Type Compact Cut-Out Street Lighting Service Cut-outs



Technical Drawing



Technical Specifications

Standard of Compliance	BS 7654 IEC 947:1
Conductor	16mm ² max
Maximum fuse rating	25A
Fuse	Single Fuse Sold Separately
Pole	Double Pole
Maximum cable size	16mm ² stranded copper or 25mm ² solid aluminium conductors
Terminals	Electroplated brass terminals with serrated bores
No. Grommets	2
Gland Plate	Brass fitted with earth stud and holes filled with grommets
IP Rating	IP42 - cover in place IP21 - cover removed
Dimensions	70 x 57 x 53mm (H x W x D)